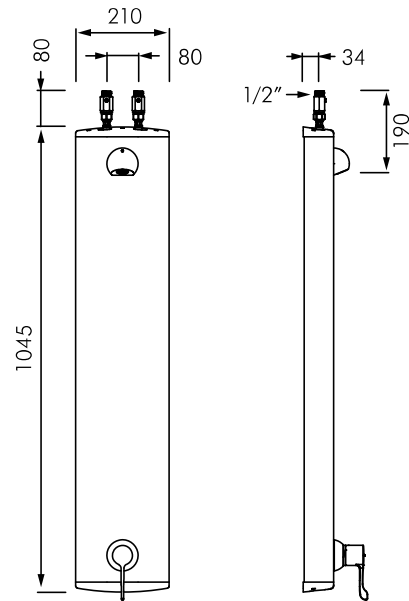


DEH9639

SECURITHERM SHOWER PANEL WITH FIXED SHOWER HEAD

DELABIE



DESCRIPTION

DELABIE Securitherm DEH9639 is a surface mounted thermostatic single control shower panel for exposed installation with fixed shower head. Securitherm thermostatic mixer taps ensures immediate hot water shut off if the cold water supply fails. If the hot water fails the mixer also shuts off. Securitouch thermal insulation prevents burns to the user. Flow rate limited to 6L/min at 300kPa. Operating pressure is 100-500kPa, 300kPa is recommended. Temperature is limited to 39°C but is adjustable by the installer to the buildings' required maximum temperature. Epoxy coated aluminium shower panel with fixed shower head. Hygiene control lever L.100mm.

Supplied with top inlets with M1/2" stopcocks, filters and concealed fixings.

INSTALLATION

- For wall mounted, exposed installation.
- Concealed fixing with M1/2" connections, filters and concealed fixings.
- Flow rate limited to 6L/min at 300kPa.
- Anti-scalding failsafe, Hot water shuts off immediately if cold water fails.
- Temperature limit set to maximum 39°C (is adjustable by installer).
- Minimum 15°C difference between HW and MW.
- Maximum 15% pressure differential between HW and CW.
- Thermal shocks are possible with this mixer tap.

MODEL

DEH9639 - Shower panel 6L/min - 3 star WELS rating.

Auckland (Head Office)

20 Carr Rd, Three Kings

Auckland 1041

P: 09 624 1115

F: 09 624 1110

E: sales@macdonaldindustries.co.nz

Wellington

P: 04 569 8033

F: 04 569 8066

Christchurch

P: 03 348 2356

F: 03 348 2376