

350 DOUBLE CHECK VALVE ASSEMBLY

WILKINS

APPLICATION

Designed for installation on potable water lines to protect against both backsiphonage and backpressure of polluted water into the potable water supply. Model 350 provides protection where a potential health hazard exists. Ideal for use where lead-free* valves are required.

STANDARDS COMPLIANCE

(Sizes 2 1/2"-10" Horiz. & Vert.)
 (Size 12" horizontal)

- Watermark Cert WMKA1379
- ASSE® Listed 1015
- CSA® Certified B64.5
- IAPMO® Listed
- UL® Classified
- C-UL® Classified
- FM® Approved (2 1/2" - 10")
- Approved by the Foundation for Cross Connection Control and Hydraulic Research at the University of Southern California

MATERIALS

Main valve body	Ductile Iron ASTM A 536
Access covers	Ductile Iron ASTM A 536
Coatings	NSF Approved fusion epoxy finish
Internals	Stainless steel, 300 Series NORYL™
Fasteners	Stainless Steel, 300 Series
Seal ring	EPDM (FDA approved)
O-ring	Buna Nitrile (FDA approved)
Springs	Stainless Steel, 300 Series

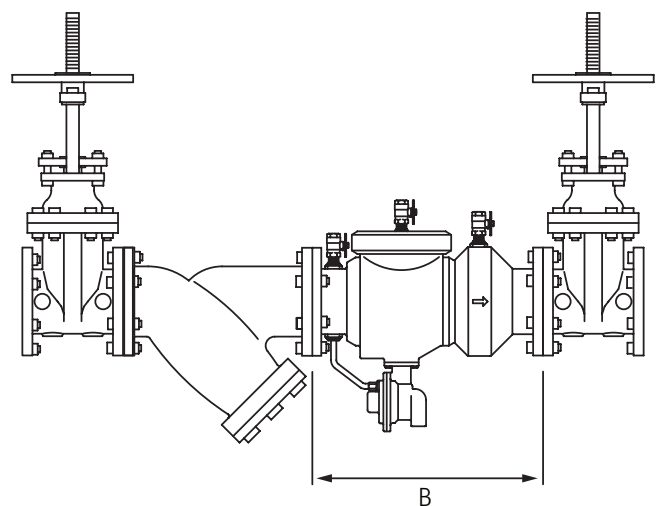


FEATURES

- Sizes:** 2 1/2", 3", 4", 6", 8", 10", 12"
- Maximum working water pressure:** 1200KPA
- Maximum working water temperature:** 140°F
- Hydrostatic test pressure:** 2400KPA
- End connections:** BS10 Table E
 *Table D (100mm)

Dimension (approximate)

Model Size mm	B (backflow only)	Weight (backflow only)
65	403	24
80	403	24
100	533	41
150	673	75
200	959	162
250	959	176

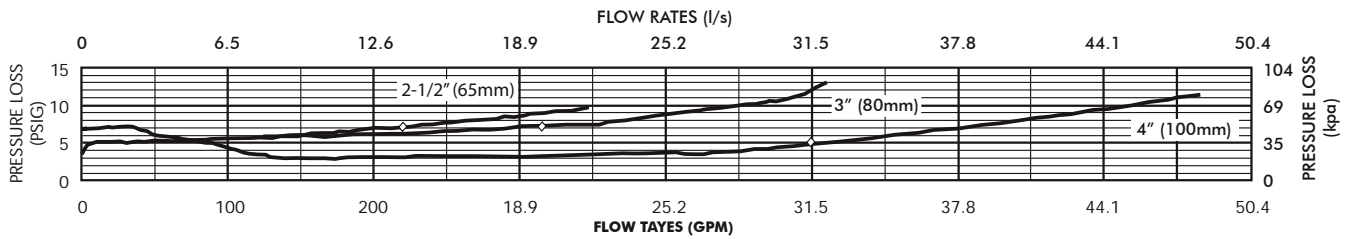


Typical Installation

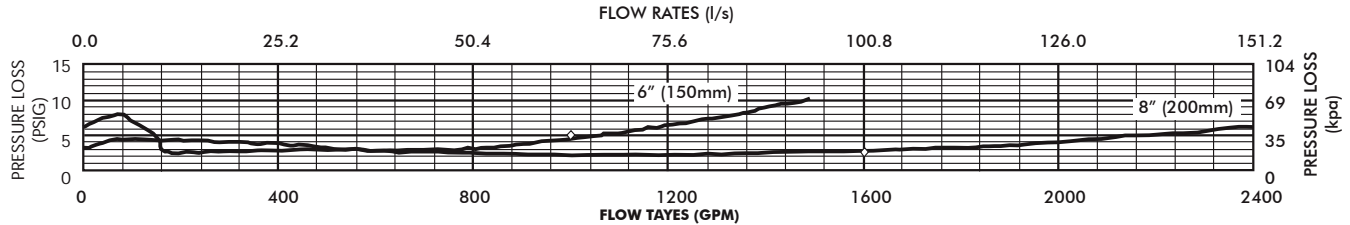
FLOW CHARACTERISTICS

◇ Rated Flow (established by approval agencies)

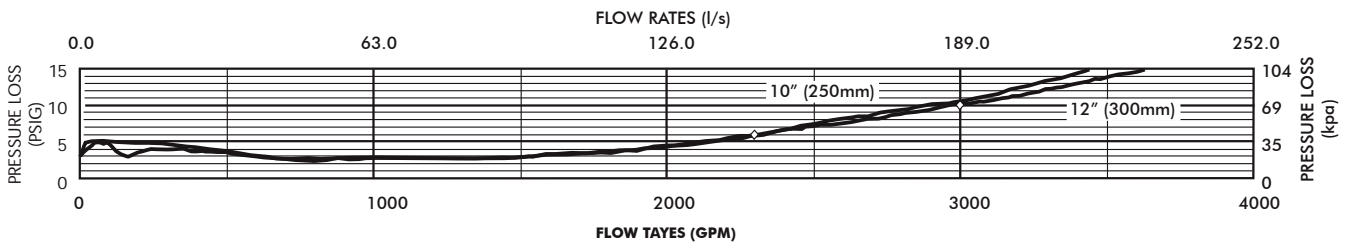
MODEL 350 2 1/2", 3" & 4" (STANDARD & METRIC)



MODEL 350 6" & 8" (STANDARD & METRIC)

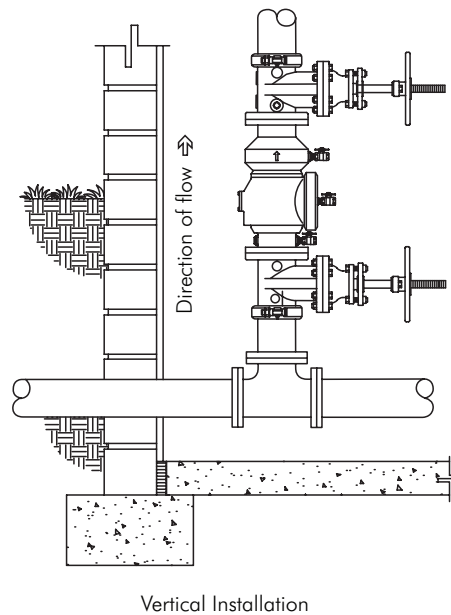
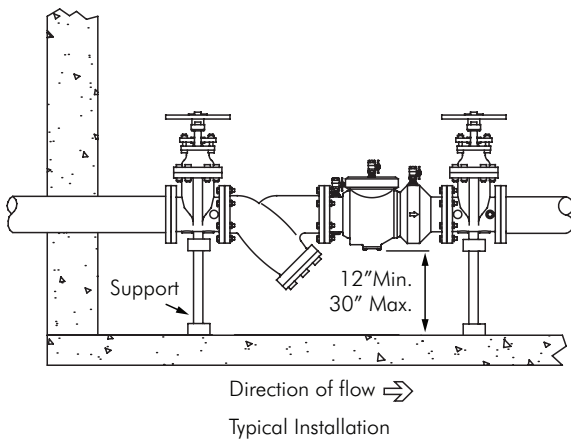


MODEL 350 10" & 12" (STANDARD & METRIC)



TYPICAL INSTALLATION

Local codes shall govern installation requirements. The installation shall be made so that no part of the unit can be submerged.



SPECIFICATIONS

The Double Check Backflow Prevention Assembly shall be certified to NSF/ANSI 61, ASSE® Listed 1015. The main body and access cover shall be epoxy coated ductile iron (ASTM A 536), the seat ring and check valve shall be NORYL™, the stem shall be stainless steel (ASTM A 276) and the seat disc elastomers shall be EPDM. The checks shall be accessible for maintenance without removing the device from the line. The Double Check Backflow Prevention Assembly shall be a ZURN WILKINS Model 350AST.



Auckland (Head Office)

20 Carr Rd, Three Kings
Auckland 1041
P: 09 624 1115
F: 09 624 1110
E: sales@macdonaldindustries.co.nz

Wellington

P: 04 569 8033
F: 04 569 8066

Christchurch

P: 03 348 2356
F: 03 348 2376

www.macdonaldindustries.co.nz