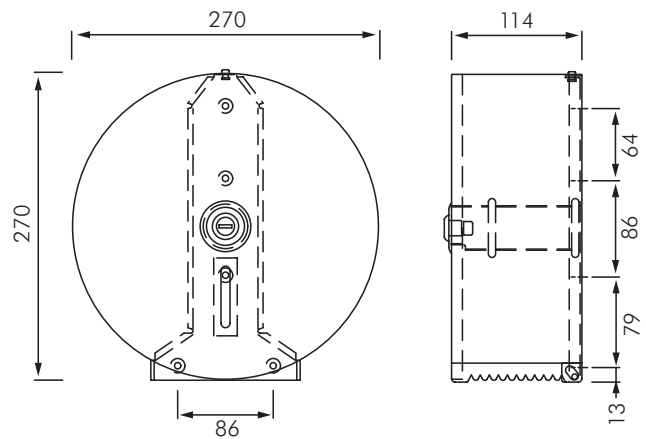


## AS0042

# SURFACE MOUNTED JUMBO SINGLE TOILET ROLL DISPENSER



### DESCRIPTION

AS0042 is a surface mounted single, jumbo (Ø250 with a 41 or 57mm core) roll, toilet paper dispenser.

Cabinet cover is fabricated in 1mm Type 304 satin finish stainless steel and is a one piece construction hung on stainless steel pin hinges, held closed with a tumbler key lock, keyed to other ASI products. All exposed surfaces are protected with PVC film which is easily removed after installation. A viewing slot with clear plastic window is fitted on the front cover for immediate roll "run out" recognition.

### INSTALLATION

Mount using 5 x M6 x 24 Philips type pan head self tapping screws (by others) through mounting holes provided. Mount within 300 of the front of the toilet from centreline and 800 from FFL from bottom of unit.

For disabled compliance mount cabinet so that leading edge of roll is no further than 915 back wall of toilet cubicle and centreline of roll is between 500 - 1100 from FFL.

### MODELS

AS0042 - Standard model as shown.