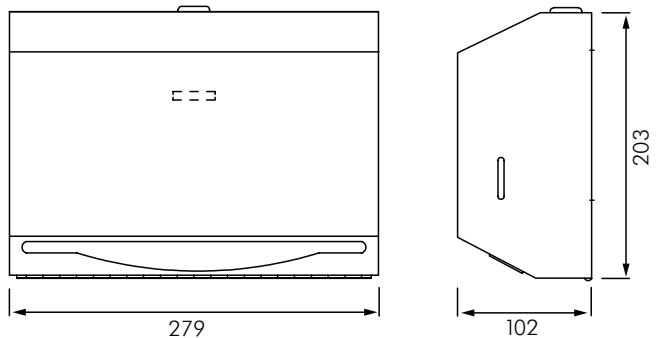


AS0215

PETITE SURFACE MOUNTED PAPER TOWEL DISPENSER



DESCRIPTION

AS0215 surface mounted paper towel dispenser shall hold up to 200 C-fold or 275 multi-fold paper towels and is fabricated in 1mm Type 304 satin stainless steel. All exposed surfaces are protected with PVC film, to be removed after installation.

Dispenser door is attached to the bottom of the unit with a heavy duty stainless steel multi staked piano hinge and will be held closed with a recessed tumbler lock keyed alike to all other ASI products.

Wall below unit is protected against accidental door drop by self limiting body and hinge construction. Indicator slot on side of cabinet shows paper towel level.

INSTALLATION

Surface mount using 4 x No 10 self tapping pan head screws (by others) through concealed key slotted mounting holes provided. For disabled compliance mount cabinet so towel dispenser slot is 1220 max. above finished floor.

PAPER TOWELS

Suitable paper towel - TORK Universal Slimline 2184987 or Interfold 120289.

MODEL

AS0215 - Surface mounted.



**MACDONALD
INDUSTRIES LIMITED**

Auckland (Head Office)

20 Carr Rd, Three Kings
Auckland 1041
P: 09 624 1115
F: 09 624 1110
E: sales@macdonaldindustries.co.nz

Wellington

P: 04 569 8033
F: 04 569 8066

Christchurch

P: 03 348 2356
F: 03 348 2376