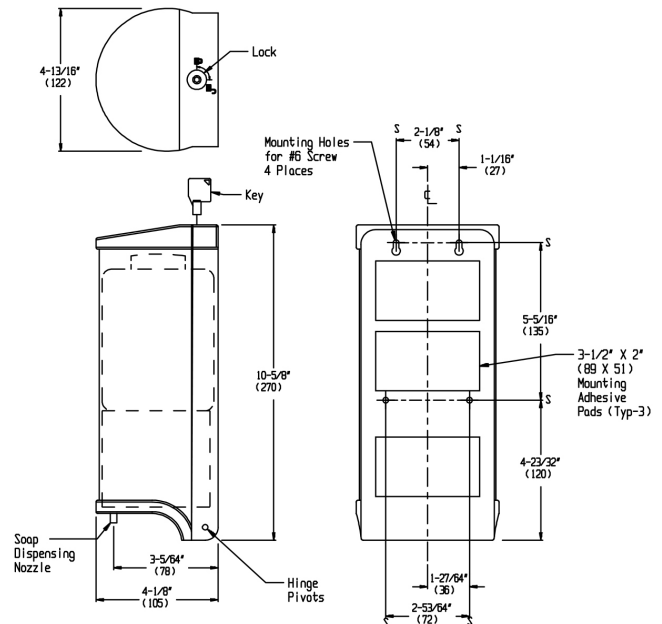


AS0362

SURFACE MOUNTED AUTOMATIC LIQUID SOAP DISPENSER



DESCRIPTION

Model AS0362 Surface Mounted Stainless Steel Automatic Liquid Soap Dispenser will hold and dispense liquid and lotion soaps, synthetic detergents and antibacterial soaps containing PCMX and/or Triclosan with a viscosity range of between 2000 and 5000 Centipoise). Capacity is either 800ml when using a disposable soap cartridge (by others) or 900ml when using the refillable soap cartridge provided. Dispenser body is fabricated in stainless steel, type 304 with black high-impact ABS plastic top door, bottom plate and concealed gray high-impact ABS plastic back plate comprising a swing-open body secured with a top mounted lock which is opened with special barrel security key provided. All exposed stainless steel surfaces are satin finish. Dispenser is powered by six (6) AA-size (1.5V) batteries (not supplied) and will operate automatically from IR sensor that will activate soap dispensing when hands are placed in sensor zone. Adjustable sensor detection range is preset at 60mm +/- 38mm. An indicator LED provides status notification of battery condition and user sensor detection. Unit dispenses a volume of .1 ml to 1.5ml of soap during each activation.

INSTALLATION

Surface mount unit to wall or partition with four (4) M3.5 x 24 self-threading Philips pan head screws (supplied) into dry wall anchors (provided) through concealed mounting holes provided, or use self-adhesive pads (supplied) to mount unit to mirror. Recommended installation height for general utility is 1050 to 1200 AFF to bottom of unit. Mount unit with bottom 200 minimum above non-metallic washbasins or countertops and 300 above stainless steel washbasins or countertops.

SOAP

Correct soap viscosity is vital to correct soap dispenser performance. Only vegetable based liquid soap with a viscosity of 4500 - 8000 centrepoise should be used. Never use commercial hand cleaners as these often have grit which could damage soap pump mechanisms. Suggested Soap - Easy Products Ltd - Liquid Soap.

MODELS

AS0362 - Standard model as shown.



MACDONALD INDUSTRIES LIMITED

Auckland (Head Office)

20 Carr Rd, Three Kings
 Auckland 1041
 P: 09 624 1115
 F: 09 624 1110
 E: sales@macdonaldindustries.co.nz

Wellington

P: 04 569 8033
 F: 04 569 8066

Christchurch

P: 03 348 2356
 F: 03 348 2376