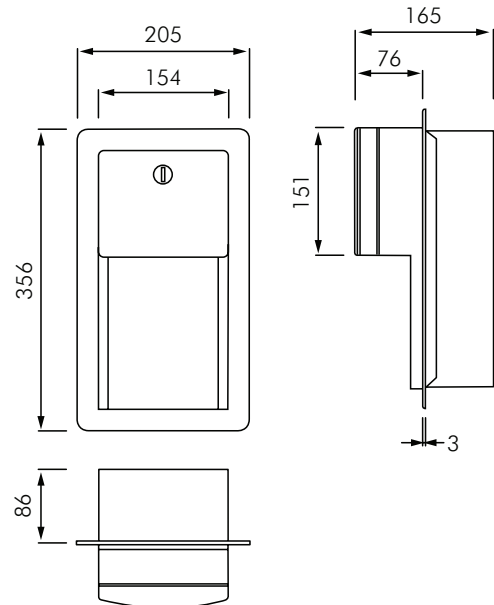




# AS20031

## ROVAL SEMI-RECESSED MOUNTED DOUBLE TOILET ROLL DISPENSER



### DESCRIPTION

Royal AS20031 is a semi-recessed mounted twin roll, toilet paper dispenser. The dispenser has a formed seamless, bowed front face with gently radiused edges to provide added strength and complimentary appearance. Fabricated in 0.9mm type 304 satin finish stainless steel. All exposed surfaces are protected with PVC film which is easily removed after installation. Includes semi-recessed flange for unit.

The dispenser has dispensing guide tracks allowing second roll to drop true once first empty roll has been removed. Toilet rolls are fitted to theft resistant plastic rollers with steel end pins.

Also available in a surface mounted version ref 20030.

### PRODUCT ADVANTAGES

Recess mount unit in wall using four 4 x M6 x 25 Philips pan head self-tapping screws (provided by others) through slots on rear

wall into suitable wall preparation (by others). Top two mounting holes through back are keyhole slots for ease in hanging unit on preinstalled screws. Bottom two mounting holes are horizontal slots for ease of adjustment. Alternate mounting holes are provided in top and bottom of unit for installation convenience.

For disabled compliance install top of unit between 794 to 1372 above finished floor and with vertical centerline of unit between 178 to 228 from commode front.

### MODELS

AS20031 - Standard model as shown.