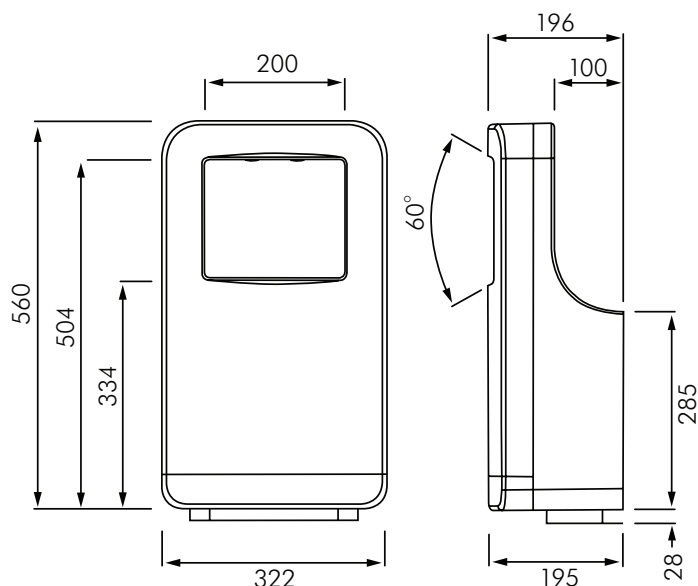


AS20200

TRI-UMPH HIGH SPEED HAND DRYER



DESCRIPTION

The ASI TRI-Umph is a state-of-the-art, ergonomic, high-speed hand dryer. With air blowing down and back from vents on three sides, users dry their hands in 12 seconds, in a comfortable, natural position without water splash-back.

Ultra hygienic with over 99% of airborne bacteria is eliminated with the three-layer, removable Super Filter System, consisting of a HEPA filter, a carbon filter and an anti-microbial filter. Anti-microbial silver sodium added to the ABS cover provides an additional layer of germ protection.

Adjustable heater (on or off) and air flow.

Optional ceramic back board, self dries maintaining clean wall behind dryer.

SPECIFICATION

Motor: 1 HP, 20 krpm MAX, brush type dual ball bearings

Power: 1200W with heater on; 750W with heater off

Warm Air Temp Output (when heater is on): 50° C max at 25° C ambient room temp

Motor Protection Thermostat: Auto resetting thermostat turns unit off at 135°

Heater Safety Off: 85° C

Circuit Operation: Infrared automatic

Timing: 2-second hold-on; 60-second auto shut-off

Noise (Decibel) Level: 65 dB-A MIN to 69.8 dB-A MAX @ 2M

Air Speed: 65 - 100 m/s, adjustable by owner

Air Flow (Volume): 89 - 124m³/h

Cover Finish: ABS plastic with silver ions (satin look)

MODELS

AS20200 - Standard model as shown.

OPTION

AS0247-TRBS - Ceramic absorbant/evaporative back board.



**MACDONALD
INDUSTRIES LIMITED**

Auckland (Head Office)

20 Carr Rd, Three Kings

Auckland 1041

P: 09 624 1115

F: 09 624 1110

E: sales@macdonaldindustries.co.nz

Wellington

P: 04 569 8033

F: 04 569 8066

Christchurch

P: 03 348 2356

F: 03 348 2376

www.macdonaldindustries.co.nz