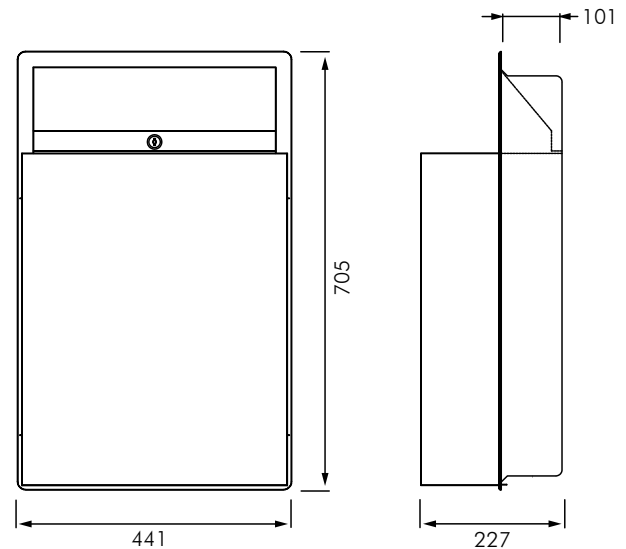


AS20458

ROVAL SEMI RECESSED WASTE BIN



DESCRIPTION

Roval Model 20458 is a semi recessed waste bin with a capacity of 42.6L. The cabinet full front waste receptacle is formed seamless and has a bowed front face with gently radiused edges to provide added strength and complimentary appearance. Frame, waste receptacle and cabinet is fabricated in 1mm Type 304 satin finish stainless steel. All exposed surfaces are protected with PVC film which is easily removed after installation. The waste receptacle has internal bag hanger hooks (bag by others), a fully hemmed top edge for safety, and a rear handle for service ease. The receptacle is held in place with a tumbler key lock. Face trim is 27mm wide, formed from one piece with no mitres, welding or open seams. Structural assembly of body and door components are of welded construction.

INSTALLATION

Mount using No 10 self tapping flat head screws (by others) through concealed mounting holes provided. For disabled compliance mount cabinet so that top edge of receptacle is 1220 max. above finished floor.

Wall Opening Dimensions: 400 x 660 x 100

PAPER TOWELS

Suitable paper towel - TORK Universal Slimline 2184987 or Interfold 120289

MODELS

AS20458 - Standard model as shown.



**MACDONALD
INDUSTRIES LIMITED**

Auckland (Head Office)

20 Carr Rd, Three Kings

Auckland 1041

P: 09 624 1115

F: 09 624 1110

E: sales@macdonaldindustries.co.nz

Wellington

P: 04 569 8033

F: 04 569 8066

Christchurch

P: 03 348 2356

F: 03 348 2376

www.macdonaldindustries.co.nz