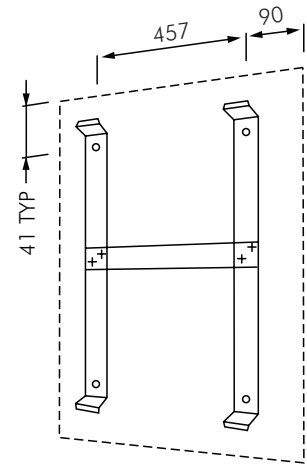
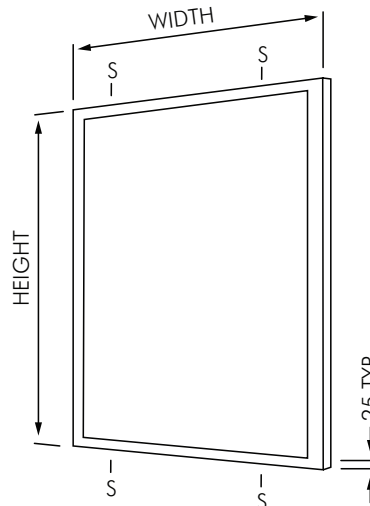




AS20650 & AS20650-B

ROVAL GLASS MIRROR



WIDTH	STRAP SPACING	No OF HANGER STRAPS
450	279	2
610	432	2

SIZE (mm) W x H	20650	20650-B
450 x 610	X	X
450 x 760*	X	X
610 x 910	X	X

* Stock size, all other available on indent only

DESCRIPTION

Royal mirror frames are fabricated from 1.2mm Type 304 stainless steel and are brush finished. The frame is formed seamless with mitred corners, welded, polished and have gently radiused edges to provide added strength and an appealing aesthetic. Mirror edges are protected with friction and chafe absorbing fillers.

Mirror glazing is available in either plate glass (Model 20650) or tempered glass (Model 20650-B). H frame mounting bracket is fabricated in corrosion treated steel and is supplied with all fixing hardware. Mirror is mounted to H frame with Hex socket headless locking screws.

MODELS

- AS20650-450*760** - Standard mirror - 450 X 760.
- AS20650-B-450*760** - Same as 20650 but with tempered glass.



Auckland (Head Office)

20 Carr Rd, Three Kings
 Auckland 1041
 P: 09 624 1115
 F: 09 624 1110
 E: sales@macdonaldindustries.co.nz

Wellington

P: 04 569 8033
 F: 04 569 8066

Christchurch

P: 03 348 2356
 F: 03 348 2376