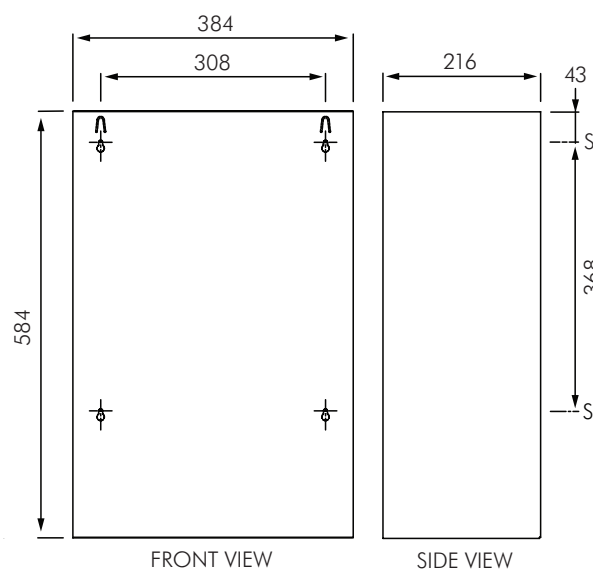


AS20826

ROVAL SURFACE MOUNTED WASTE BIN



DESCRIPTION

Roval Model 20826 is a surface mounted waste bin with a capacity of 42L. The waste receptacle body is formed seamless and has a bowed front face with gently radiused edges to provide added strength and complimentary appearance. Frame, waste receptacle and cabinet is fabricated in 1mm Type 304 stainless steel with satin finish. All exposed surfaces are protected with PVC film which is easily removed after installation. The waste receptacle has internal bag hanger hooks (bag by others), a fully hemmed top edge for safety. Receptacle is screw fixed to wall through keyhole slots with heavy gauge stainless steel reinforcement straps.

INSTALLATION

Mount using No 10 self tapping flat head screws (by others) through key hole mounting holes provided. For disabled compliance mount cabinet so that top edge of receptacle is 1220 max. above finished floor.

MODELS

AS20826 - Standard model as shown.