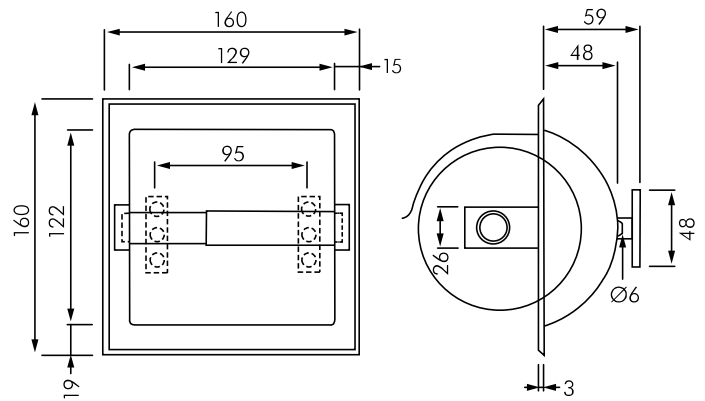


AS7402-HS

RECESSED SINGLE TOILET ROLL HOLDER WITH HOOD



DESCRIPTION

AS7402-HSSM is a single roll toilet paper dispenser for standard core roll toilet paper with hood and dispense all standard core roll toilet paper up to 150mm diameter. Fabricated of stainless steel type 304, all exposed surfaces are finished in either satin or bright finish. Standard roll holders are made from high impact ABS plastic finished with chrome plating. Hoods are attached with a full-length brass pivot rods.

The AS7402-HSSM is ideal for all bathrooms and is especially suitable for accessible bathrooms. Also available in bright stainless finish.

MODELS

- AS7402-HS** - Recessed toilet roll holder, satin stainless steel.
- AS7402-HB** - Recessed toilet roll holder, bright stainless steel.
- AS7402-HSSM** - Same as AS7402-HS but for surface mounting.
- AS7402-HSBM** - Same as AS7402-HB but for surface mounting.

