
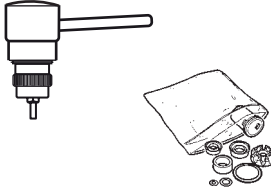

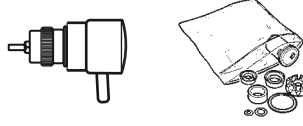

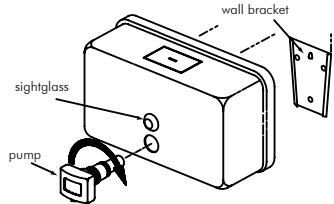

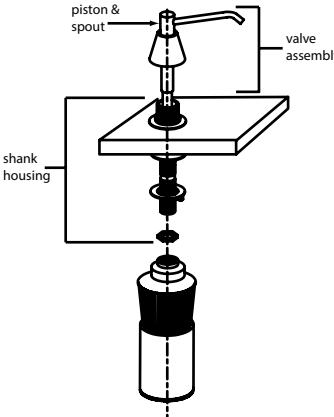


DELABIE SOAP DISPENSERS

PRODUCT	CODE	DESCRIPTION		CARTRIDGE	MAINT. KIT
	729 008	Through bench mounted soap dispenser 1L bottle		729 308	729 302
	729 508	As above but 0.5L bottle			
	729 108	As above but with extended 1.2m tube			
	729 150	Through wall mounted soap dispenser 1L bottle		729 303	729 302

ASI SOAP DISPENSERS

PRODUCT	CODE	DESCRIPTION		PART DESCRIPTION	PART NO.
	AS0345	Wall mounted soap dispenser		pump	ASV-321
	AS0347			sight glass	ASGUAGE-001
		wall bracket		ASH-23	
	AS0332	Through bench mounted soap dispenser		piston & spout	AS0332-25
				4" valve assy	AS0332-22
				shank housing	AS0332-24