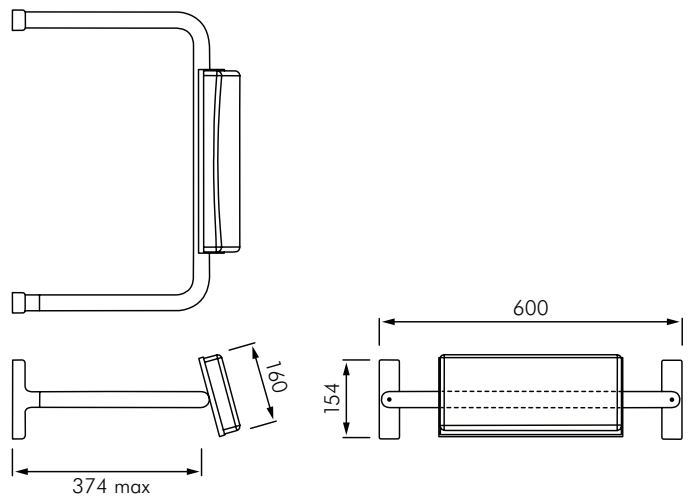
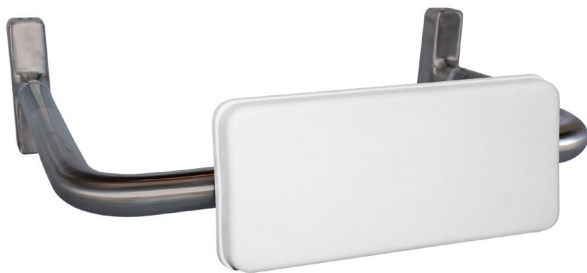


BE-BT35

MACDONALD REST-EZY BACK REST 750



DESCRIPTION

The MacDonald Rest-Ezy Back Rests are ergonomically designed for strength and easy installation. The BE-BT35 is adjustable in length allowing it to be installed over a toilet that has a length between 700-750mm in accordance with NZS4121. These are commercial grade backrests that comply with the accessible bathroom requirements providing the necessary back support for disabled persons when using the toilet. With a polished stainless steel bar and white polyurethane padded support the BE-BT35 backrest allows the user to comfortably use a disabled length toilet pan when installed to the manufacturers instructions.

NOTE: Not suitable for use with RAK RA-CO1144, RA-CO1344 and KWC Franke disabled toilet pans when a seat with lid is fitted. (Refer instead to Delabie DE510 629 backrest.)

Suitable for use with RAK RA-CO1244 S/P and RA-CO1245 S/P accessible wall faced toilet suit. Also suitable for use with KWC Franke FRFM5 and FRWM3 accessible toilet pans, **but only when seat pads or seat without lid is fitted.**

PRODUCT ADVANTAGES

- Adjustable depth 700-750mm for different length toilet.
- Comfortable padded back support.
- Low maintenance.
- Heavy duty large flanges for extra stability and strength.
- Dimensions: 156x600mm.

MODELS

BE-BT35 - Adjustable back rest with white polyurethane pad