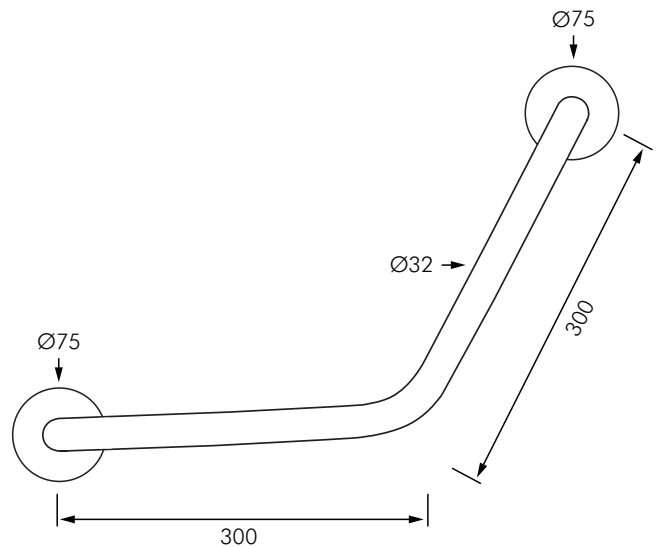


BE-BTCAM30

MACDONALD CLEANSEAL® 40° GRAB RAIL
305x305mm Ø32mm



DESCRIPTION

The MacDonal BE-BTCAM30 is a 305x305mm toilet assist grab rail, fully welded in grade 304 stainless steel, Ø32mm tubing, with knurled slip resistant finish and CleanSeal® flange and cover. The BE-BT4/135 is suited for use in the toilet for aged care and home assist bathroom where space is limited. The 135° bend provides a horizontal and vertical grab rail option for toilets. It's easy to install on most building surfaces and has been designed for maximum strength.

CleanSeal® is an innovative flange and cover system engineered to provide full structural strength, with simple fixing method and hygienically mounted installation. This provides for easily cleaned crevice-free conditions that inhibit bacterial build-up caused by soap scum, body fluid and mould spores.

This is not NZS4121 compliant; for use in accessible bathrooms use our BE-BT5/90.

PRODUCT ADVANTAGES

- Hygienic CleanSeal® flange and cover.
- Quick and easy installation.
- Low maintenance.
- Heavy duty large 75mm flange for extra stability and strength.
- Stainless steel cover.
- Silicone seals for wall connections.
- Dimensions: Ø32mm, 305x305mm.

MODEL

BE-BTCAM30 - 300x300mm Ø32mm grab rail with Cleanseal® flange and cover.