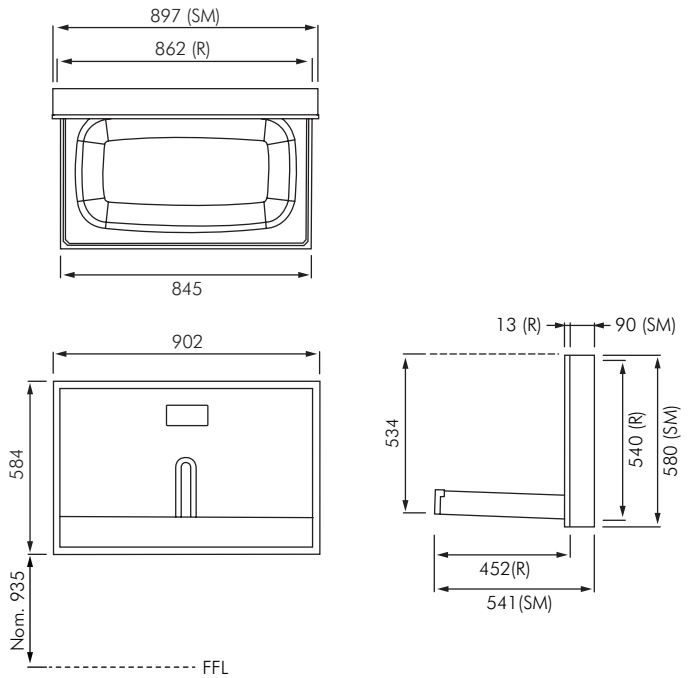


## BR-100SS-R

### MACDONALD STAINLESS STEEL HORIZONTAL BABY CHANGE TABLE



#### DESCRIPTION

These are horizontal surface mounted MacDonal baby changing stations, made from full body 16 gauge, 304 brushed stainless steel and a polystyrene replaceable tray liner. All models include built-in liner dispensers, all necessary mounting hardware, safety strap and buckle.

This product is intended for children up to a maximum weight of 23kg.

#### INSTALLATION

- Includes easy to install, step by step instructions.
- Stainless steel liner dispenser 200-SSLD is available as an optional extra.

#### MODELS

- BR-100SS-R** - Standard model
- BR-100SS-SM** - Same as standard model but for surface mounting