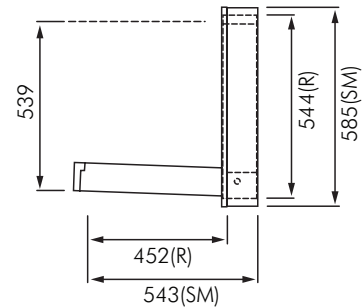
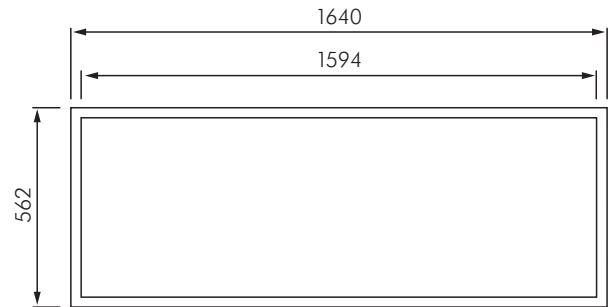


BR100-SSE

MACDONALD SPECIAL NEEDS CHANGE TABLE



DESCRIPTION

The BR100-SSE-R recessed and BR100-SSE-SM recessed and surface mounted Macdonald special needs changing tables are made from full body 16 gauge, 304 brushed stainless steel with a polystyrene replaceable tray liner. Rated to 180kg static loads, these are designed for physically challenged children or adults. Ideal for schools and hospitals. All models include built-in liner dispensers, all necessary mounting hardware, safety strap and buckle.

PRODUCT FEATURES

- Polystyrene replaceable tray liner.
- Safety belt with cam-buckle is adjustable with one hand for added security.
- Pneumatic gas shock mechanism to ensure smooth, safe open and close motions.
- Includes easy to install, step by step instructions.
- Stainless steel liner dispenser 200-SSLD is available as an optional extra.

Note: It is the responsibility of the builder to ensure that the wall is structurally sound when installing the baby change table.

MODELS

- BR100-SSE-R** - Standard model.
- BR100-SSE-SM** - Same as standard model but for surface mounting.