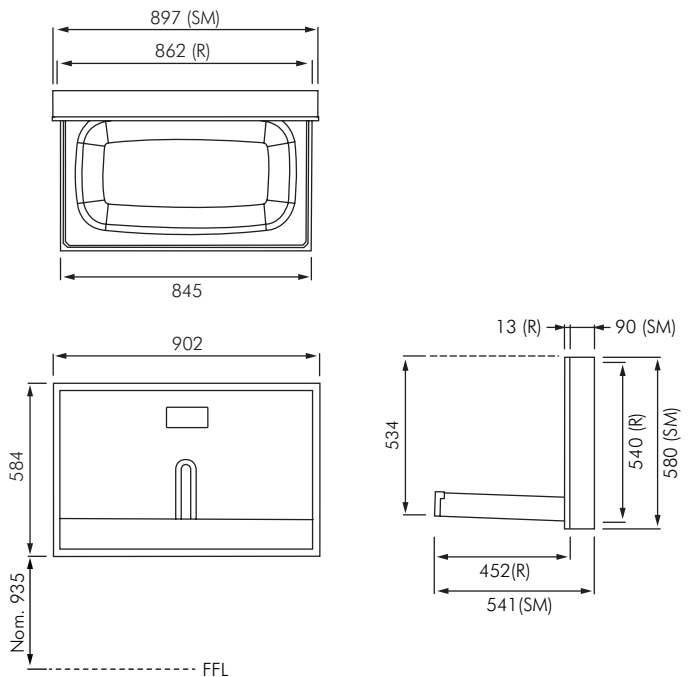


BR100-SSR

MACDONALD STAINLESS STEEL HORIZONTAL BABY CHANGE TABLE



DESCRIPTION

These are horizontal surface mounted MacDonald baby changing stations, made from full body 16 gauge, 304 brushed stainless steel and a polystyrene replaceable tray liner. All models include built-in liner dispensers, all necessary mounting hardware, safety strap and buckle.

This product is intended for children up to a maximum weight of 23kg.

INSTALLATION

- Includes easy to install, step by step instructions.
- Stainless steel liner dispenser 200-SSLD is available as an optional extra.

MODELS

BR100-SSR-R - Standard model.

BR100-SSR-SM - Same as standard model but for surface mounting.