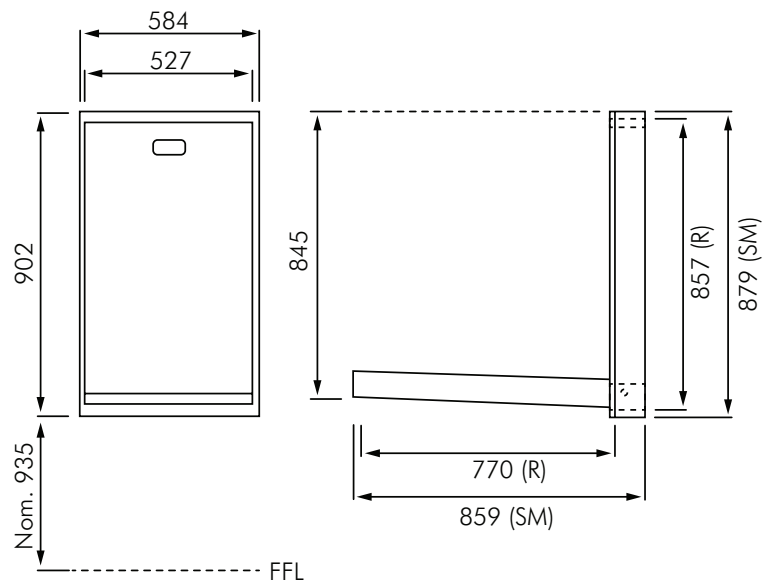


BR100-SSV

MACDONALD STAINLESS STEEL VERTICAL BABY CHANGING TABLE



DESCRIPTION

Vertically mounted MacDonal baby changing stations are made from full body 16 gauge, 304 brushed stainless steel with a polystyrene replaceable tray liner. All models include built-in liner dispensers, all necessary mounting hardware, safety strap and buckle.

This product is intended for children up to a maximum weight of 22.7kg (50lbs.).

Pneumatic gas shock mechanism to ensure smooth, safe open and close motions.

INSTALLATION

- Includes easy to install, step by step instructions.
- Stainless steel liner dispenser 200-SSLD is available as an optional extra.

MODELS

BR100-SSV-R - Recessed mounted

BR100-SSV-SM - Same as above but surface mounted