



Bariatric WC

Heavy duty WC for patients and clients considered obese

The Bariatric WC is designed to support the weight of a person upto 380kg (60 stones) with a specially moulded seat and extra wide WC frame of 600mm.

Picture / Diagram
All dimensions in mm

Code / Description

**NEW
product**

Bariatric Toilet G22080N

Product description:

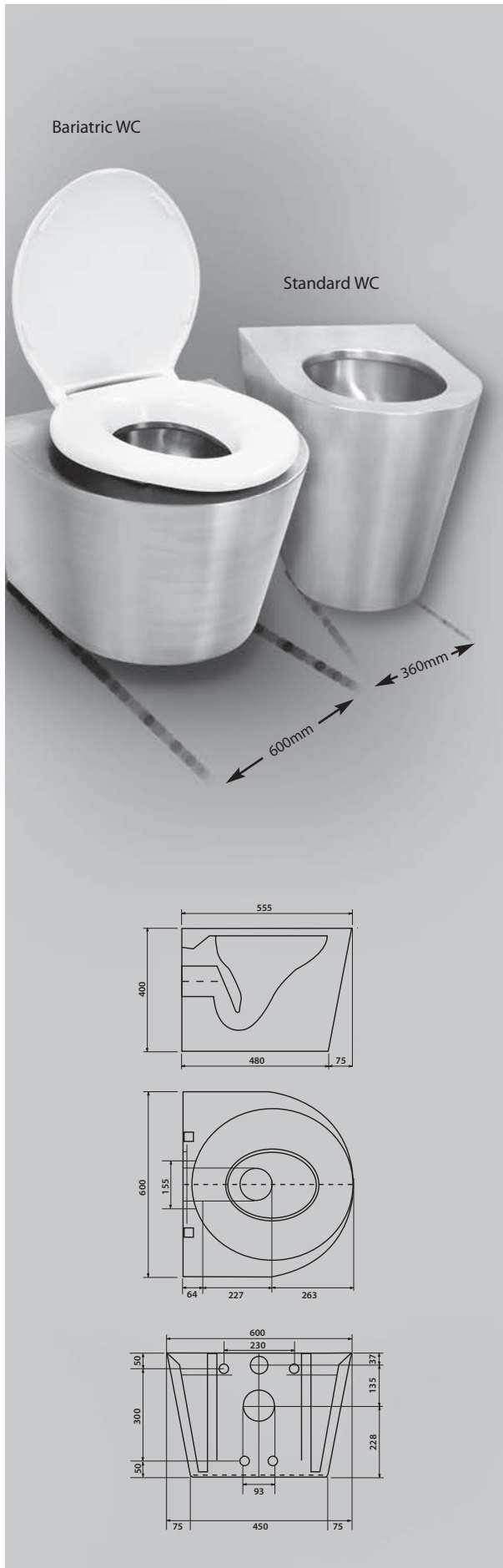
The specially designed floor standing toilet is fitted with a seat that is ideal for making use more comfortable. Its large seat area gives increased support and comfort. A width of 50cm gives comfort, security and will give long lasting use in any hospital or medical installation and the increased width makes the toilet seat ideal for a larger person.

Customer benefits:

Large floor standing WC for Bariatric patients
Special toilet seat suitable for patients up to 381 kg in weight
WC can be flushed with a conventional 6 litre duct mounted cistern
For use in hospitals, doctors surgeries, specialist clinics and nursing homes
Grab rails to aid movement on and off the WC also available.

Technical information:

| | |
|------------------|--------|
| Seat: | 490mm |
| Width: | 600mm |
| Depth: | 555mm |
| Max user weight: | 840lbs |



**MACDONALD
INDUSTRIES LIMITED**

20 Carr Rd
Three Kings
Auckland 1042
Ph 09 624 1115
Fax 09 6241110
email:sales@macdonaldindustries.co.nz
www.macdonaldindustries.co.nz

Christchurch

Ph; 03 348 2356
Fax: 03 348 2376

Wellington:

Ph 04 569 8033
Fax 04 569 8066