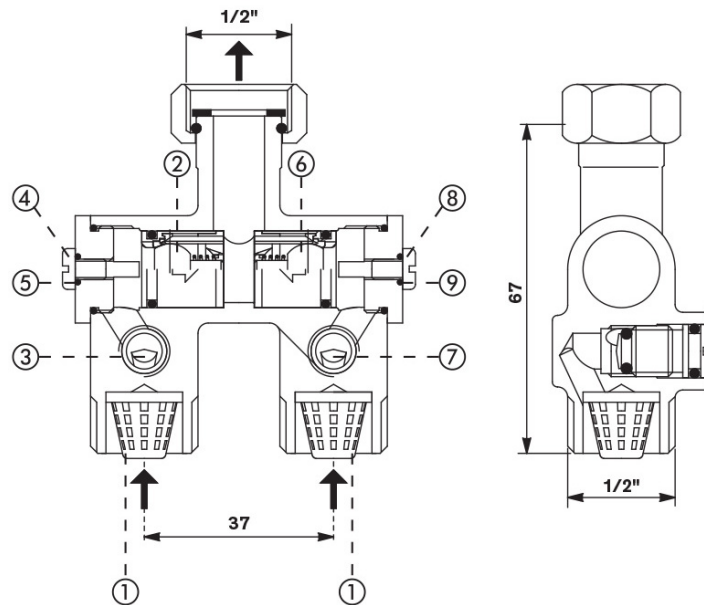


DE200000

COMPACT POINT OF USE PRE-MIXER

DELABIE



INSTALLATION

Non-return valves should be checked at least once a year:

- Close the water outlet.
- Check the non-return valve (2):
 - Shut-off the water by tightening the screw (3) fully.
 - Create an air gap by loosening the screw (4).
 - Open the water on the opposite side by unscrewing the screw (7).

There should be no leaks at (5), if there is a leak, clean the non-return valve (2).

- Check the non-return valve (6):
 - Shut-off the water by tightening the screw (7) fully.
 - Create an air gap by loosening the screw (8).
 - Open the water on the opposite side by unscrewing the screw (3).

There should be no leaks at (9), if there is a leak, clean the non-return valve (6).

OPERATION

Compact pre-mixer for individual washbasins. Install beneath the basin.

Install the filters (1) as shown in the diagram.

REMEMBER

Our valves must be installed by professional installers in accordance with current regulations and recommendations, and the specifications of the fluid engineer.

- Sizing the pipes correctly will avoid problems of flow rate, pressure loss and water hammer.
- Protect the installation with filters, water hammer arresters and pressure reducers to reduce the frequency of maintenance (recommended pressure from 1 to 5 bar maximum).
- Install stopcocks close to the valve to facilitate maintenance.
- The pipe work, stopcocks, bib taps and all sanitary fittings should be checked at least once a year, and more frequently if necessary.