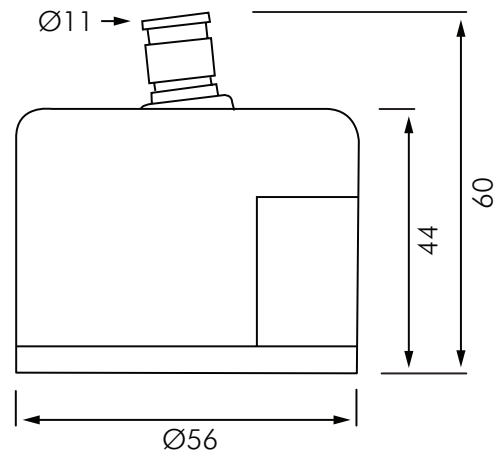


DE20250

ANTI-BACTERIAL BIOFIL CARTRIDGE

DELABIE



DESCRIPTION

Water, essential for hygiene, can also be a source of infection if it's quality is not controlled. The proliferation of bacteria (*Legionella* spp., *Pseudomonas aeruginosa*, etc) in water supply or in mixers and taps may cause serious infections, especially for vulnerable people.

Control of this health risk is a major and ongoing concern for those responsible for buildings. Monitoring the bacteriological quality of water in sanitary facilities in healthcare installations is essential. More recently the need to monitor water quality has extended beyond hospitals and care homes, and applies more widely to all public buildings.

Each BIOFIL filter incorporates a hollow fibre membrane with a water filtration threshold of 0.2 micron absolute-rated. They deliver water free from microorganisms (bacteria, fungi, particles in water systems etc.), without changing its chemical composition.

They provide total protection against waterborne infection.

This model DE20250 is designed to fit onto any Delabie mixer or tap by using one of the push-fit connectors with O'ring seal (see models). Alternative model DE20050A also available for push fit connectors (see separate literature).

PRODUCT FEATURES

- Single use spout filter, sterilising grade 0.2micron absolute-rated.
- For up to 62 days use.
- Hydrophilic polyethylene hollow fibres.
- Filtration area: 1,400cm².
- Filtration flow rate: 3lpm at 3 bar (filter only, excludes any flow rate restrictor/regulator in the mix).
- Maximum upstream pressure at point-of-use: 5 bar.
- Compatible with and resistant to chemical and thermal shocks.

MODELS

- DE20250** - Biofil cartridge with O'ring seal - for all germs, including *Legionella* and *Pseudomonas Aeriginosa*.
- DE820124** - M24/100 push-fit connector for DE20250
- DE820122** - F22/100 push-fit connector for DE20250

Auckland (Head Office)

20 Carr Rd, Three Kings
 Auckland 1042
 09 624 1115
sales@macdonaldindustries.co.nz
macdonaldindustries.co.nz

Christchurch

32B Hayton Road
 Wigram, Christchurch
 03 348 2356
christchurch@macdonaldindustries.co.nz

Wellington

04 569 8033