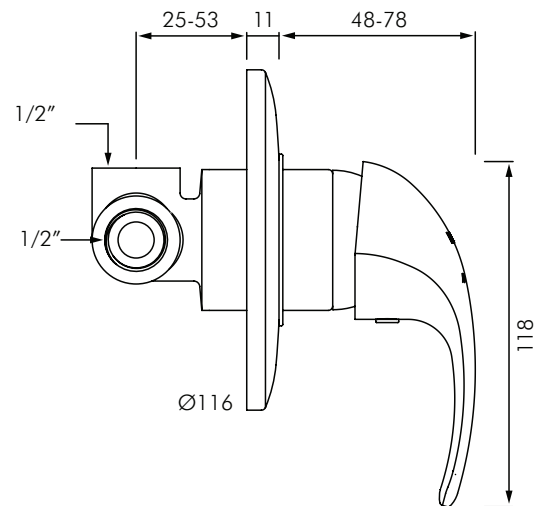


## DE2443 RECESSED SHOWER MIXER

# DELABIE



### DESCRIPTION

A concealed shower mixer designed for use in washrooms where the likelihood of vandalism is low and/or there isn't a need for self-closing shut off technology. Features a full lever which is finished in chrome plated brass.

A thermostatic mixing valve should be used to ensure safe water temperature and prevent scalding. For complete anti-scalding protection, it is recommended to use Delabie thermostatic shower mixers or zonal thermostatic mixers.

To complete your shower mixer, Delabie low flow shower heads are required.

Ideal for accommodation purposes eg. hotels and boarding hostels.

### INSTALLATION

- Pressure range: 100 - 500kPa (dynamic) recommended.
- <100kPa pressure difference between HW and CW.
- Maximum HW temperature of 65°C.
- Flow rate at 6L/min when supplied with appropriate Delabie shower head.
- Ceramic cartridge 40mm.
- It includes a temperature limitation collar device in the cartridge which is easily adjusted by limiting the maximum position of the lever (different to anti-scalding protection).

### MODELS

**DE2443** - Standard model as shown - 3 star rating.



**MACDONALD  
INDUSTRIES LIMITED**

#### Auckland (Head Office)

20 Carr Rd, Three Kings  
Auckland 1041  
P: 09 624 1115  
F: 09 624 1110  
E: sales@macdonaldindustries.co.nz

#### Wellington

P: 04 569 8033  
F: 04 569 8066

#### Christchurch

P: 03 348 2356  
F: 03 348 2376