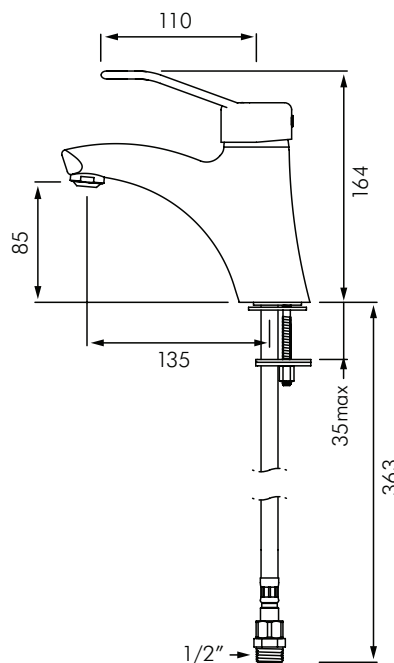


DE2521 BASIN MIXER

DELABIE



DESCRIPTION

DELABIE DE2521 is a mechanical basin mixer with sculptured control lever and H.85mm L.135mm fixed spout. Available with three different handle options (see models). Pre-set maximum temperature limiter. Equalised Pressure (EP) cartridge option also available. EP cartridge delivers nearly constant water temperature despite pressure fluctuations in either the hot or cold water supply lines giving anti-scald protection to the user. Flow rate limited to 5L/min at 300kPa. Operating pressure is 100-500kPa, 300kPa is recommended. Chrome plated solid brass body with Biosafe hygienic outlet and reinforced fixing.

Supplied with PEX flexibles, M1/2" connections and reinforced fixing.

INSTALLATION

- Deck mounted through Ø34mm hole.
- Reinforced fixation using 2x stainless steel fixing screws and support ring.
- PEX flexibles and M1/2" connections.
- Ø40mm ceramic cartridge.
- Flow rate pre-set at 5L/min at 300kPa.
- Thermal shocks are possible with this mixer tap.

MODELS

- DE2521** - Standard model 5L/min - 6 star WELS rating.
- DE2521EP** - Same as DE2521 but with EP cartridge.
- DE2521T** - Same as DE2521 but with solid control handle.
- DE2521TEP** - Same as DE2521T but with EP cartridge.
- DE2521L** - Same as DE2521 but with hygiene L.150mm control handle.
- DE2521LEP** - Same as DE2521L but with EP cartridge.