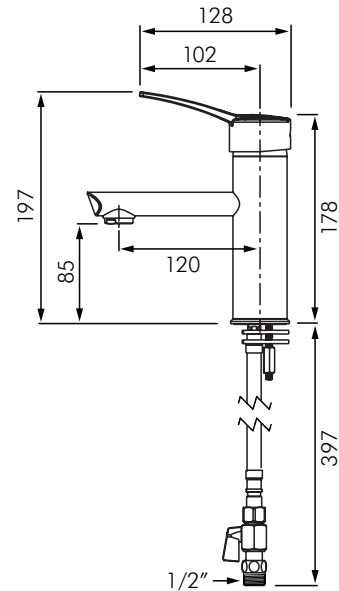


DE2821T
 BIOCLIP
 REMOVABLE BASIN MIXER

DELABIE



DESCRIPTION

DELABIE DE2821T BIOCLIP removable basin mixer with solid control lever, smooth interiors and low volume water (reduces bacterial development). The BIOCLIP basin mixer can be removed entirely from its fixed base allowing for curative or preventative cleaning/disinfection. BIOCLIP mixers and taps allow healthcare facilities to establish regular cleaning protocols to eliminate Biofilm and bacteria. Mixers with smooth interiors have 14x less Biofilm contamination than mixers with standard rough interiors. Equalised Pressure (EP) cartridge option also available. EP cartridge delivers nearly constant water temperature despite pressure fluctuations in either the hot or cold water supply lines giving anti-scald protection to the user. Straight spout H.85mm L.120mm with hygienic flow straightener. Flow rate limited to 5L/min at 300kPa. Solid control lever or with L.150mm hygiene control lever.

Supplied with PEX flexible connections, filters, non-returns M1/2" stopcocks and reinforced fixing.

INSTALLATION

- Deck mounted through Ø34mm hole.
- Reinforced fixation using 2x stainless steel fixing screws and support ring.
- PEX flexibles and M1/2" connections.
- Ø40mm ceramic cartridge.
- Flow rate pre-set at 5L/min at 300kPa.
- Thermal shocks are possible with this mixer tap.

MODELS

- DE2821T** - Standard model 5L/min - 6 star WELS rating.
- DE2821L** - Same as DE2821T but with L.150 hygiene control lever.
- DE2821TEP** - Same as DE2821T but with EP cartridge.
- DE2821LEP** - Same as DE2821L but with EP cartridge.



Auckland (Head Office)
 20 Carr Rd, Three Kings
 Auckland 1041
 P: 09 624 1115
 F: 09 624 1110
 E: sales@macdonaldindustries.co.nz

Wellington
 P: 04 569 8033
 F: 04 569 8066

Christchurch
 P: 03 348 2356
 F: 03 348 2376