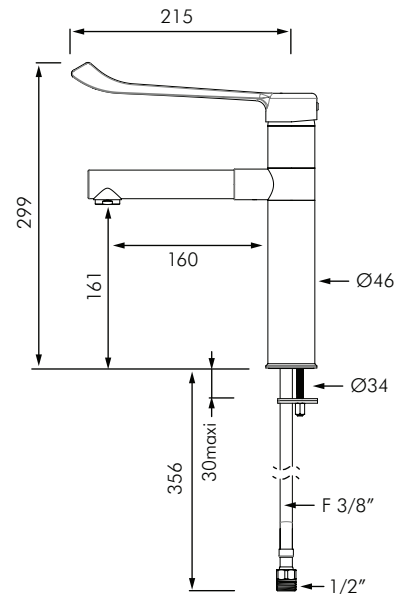


## DE2871T1

### BIOCLIP

### BASIN MIXER WITH REMOVABLE SPOUT

# DELABIE



#### DESCRIPTION

DELABIE DE2871T1 BIOCLIP basin mixer with hygiene control lever L.215mm, smooth interiors and low volume water (reduces bacterial development). The BIOCLIP basin mixer has a removable swivel spout that can be removed allowing for curative or preventative cleaning/disinfection. BIOCLIP mixers and taps allow healthcare facilities to establish regular cleaning protocols to eliminate Biofilm and bacteria. Mixers with smooth interiors have 14x less Biofilm contamination than mixers with standard rough interiors. Flow rate is limited to 5L/min at 300kPa. Operating pressure is 100-500kPa, 300kPa is recommended. Supplied with one disposable Hostaform spout L.176mm or two removable chrome-plated stainless steel spouts L.180mm for deck mounting with hygienic scale-resistant flow straightener. Chrome-plated solid brass body and spout with smooth interiors, hygienic scale-resistant flow straightener and reinforced fixing. Biofil sterile filter also available for this tap, see separate BIOFIL information.

Supplied with PEX flexible connections, filters, M1/2" connections and reinforced fixing.

#### INSTALLATION

- Deck mounted through Ø34mm hole.
- Reinforced fixation using 2x stainless steel fixing screws and support ring.
- PEX flexibles and M1/2" connections.
- Ø40mm ceramic cartridge.
- Flow rate pre-set at 5L/min at 300kPa.
- Spout height: H.160mm or H.300mm (see models below)
- Thermal shocks are possible with this mixer tap.

#### MODELS

- DE2871T1** - Standard model 5L/min - 6 star WELS rating.
- DE2870T1** - Same as DE2871T1 but with 2x chrome plated stainless steel spouts.
- DE2871T3** - Same as DE2871T1 but with H.300mm spout.
- DE2870T3** - Same as DE2870T1 but with H.300mm spout.



**MACDONALD  
INDUSTRIES LIMITED**

#### Auckland (Head Office)

20 Carr Rd, Mt Roskill  
Auckland 1041  
P: 09 624 1115  
F: 09 624 1110  
E: sales@macdonaldindustries.co.nz

#### Wellington

P: 04 569 8033  
F: 04 569 8066

#### Christchurch

P: 03 348 2356  
F: 03 348 2376