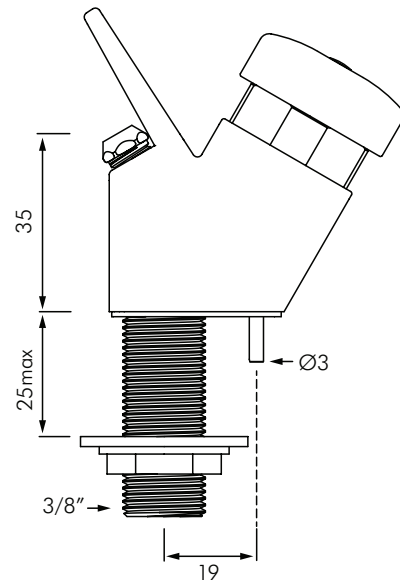


DE312QU1 DRINKING FOUNTAIN

DELABIE



DESCRIPTION

Delabie DE312QU1 drinking fountain is activated by pressing the button and will immediately shut off when the button is released. The flow rate is adjustable, finished in chrome plated brass body, and water connection is M3/8".

Ideal for use in applications requiring a high degree of vandalism protection.

INSTALLATION

- M3/8" water supply connection.
- Fixed with invisible blocking screw.
- Adjustable flow rate.

MODELS

DE312QU1 - Drinking fountain with M3/8" connection.