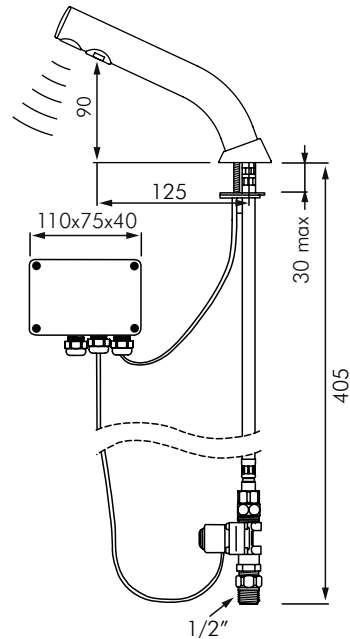


DE378022

BINOPTIC ELECTRONIC BASIN TAP

DELABIE



DESCRIPTION

DELABIE DE378022 is a deck mounted electronic basin tap with independent IP65 electronic control unit and shock-proof infrared presence detection sensor at the end of the spout. Available as 230/12V mains supply with transformer or 6V Lithium battery power. Anti-bacterial duty flush operates for ~60 seconds every 24 hours after last use. Flow rate is pre-set at 3L/min at 300kPa, can be adjusted from 1.5 to 6L/min. Operating pressure is 100-500kPa, 300kPa is recommended. Chrome-plated brass body and spout with hygienic scale-resistant flow straightener. Spout has a smooth interior and low volume of water (limits bacterial niches).

Supplied with PEX flexible connector, solenoid valve, filter and M1/2" stopcock.

We recommend installing a thermostatic mixing valve (see Water Tempering section).

INSTALLATION

- Deck mounted through $\text{Ø}34\text{mm}$ hole.
- Reinforced fixation using 2x stainless steel fixing screws and support ring.
- 230V AC power connection to control box.
- 400mm PEX flexible with filter & solenoid connects to 1/2" water supply.
- Maximum Hot water temperature 55°C .
- Flow rate pre-set at 3L/min at 300kPa, can be adjusted from 1.5 to 6L/min by using a 2.5mm Allen key directly on the flow straightener.

MODELS

DE378022 - Standard model 3L/min - 6 star WELS rating.

DE478015 - Same as DE378022 but battery powered.



Auckland (Head Office)

20 Carr Rd, Three Kings
Auckland 1041

P: 09 624 1115

F: 09 624 1110

E: sales@macdonaldindustries.co.nz

Wellington

P: 04 569 8033

F: 04 569 8066

Christchurch

P: 03 348 2356

F: 03 348 2376