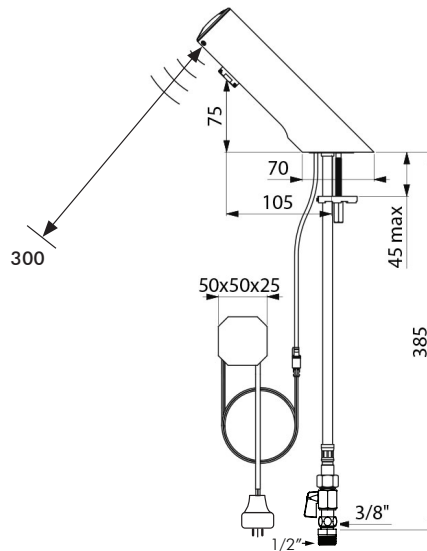


**DE440000AS**  
 TEMPOMATIC 4  
 ELECTRONIC BASIN TAP - LEAD FREE\*

**DELABIE**



**DESCRIPTION**

Delabie DE440000AS is a deck mounted mains powered electronic basin tap with a reduced stagnation solenoid valve and electronic unit. For 230/12V recessed mains power supply. Active infrared presence detection sensor at the end of the spout optimises detection. Anti-bacterial duty flush operates for ~60 seconds every 24 hours after last use. Flow rate is pre-set at 3L/min at 300kPa, can be adjusted from 1.4 to 6L/min. Operating pressure is 100-500kPa, 300kPa is recommended. Chrome-plated metal body, with hygienic scale-resistant flow straightener, and reinforced fixing.

**INSTALLATION**

- Deck mounted through Ø34mm hole, with reinforced fixings.
- Exceptional water savings ~90%
- No manual contact = hygiene.
- Recessed mains power.
- 365mm PEX flexible 3/8" connector, supplied with 3/8" isolator and 3/8-1/2" adaptor.
- For cold or tempered single water supply.
- Maximum hot water temperature 55°C, recommended tempered supply of ~40°C.
- Flow rate pre-set at 3L/min at 300kPa, can be adjusted from 1.4 to 6L/min.
- Ensure basin waste position does not conflict with position of the sensor.
- Check compatibility of basin with this tap; the elongated base of tap may conflict with any basin that has a raised lip at the back.

**MODELS**

**DE440000AS**- Delabie Tempomatic 4 Mains Powered Electronic Basin Tap, Includes 1x Stopcock.

\*'Lead free' has been defined as a plumbing product or material in contact with potable water that has a weighted average lead content of no more than 0.25%.

