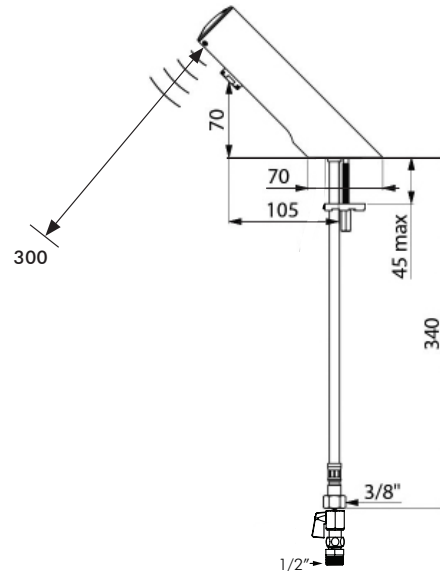


**DE440006AS**  
TEMPOMATIC 4  
ELECTRONIC BASIN TAP 6V - LEAD FREE\*

**DELABIE**



**DESCRIPTION**

DELABIE DE440006AS is a deck mounted electronic basin tap with a reduced stagnation solenoid valve and electronic unit. Supplied as 6v battery, Anti-bacterial duty flush operates for ~60 seconds every 24 hours after last use. Flow rate is pre-set at 3L/min at 300kPa, can be adjusted from 1.5 to 6L/min. Operating pressure is 100-500kPa, 300kPa is recommended. High polished stainless steel body with hygienic scale-resistant flow straightener and reinforced fixing.

Supplied with PEX flexible connector, filter and M3/8" stopcock with 1/2" adaptors

We recommend installing a thermostatic mixing valve (see Water Tempering section).

**INSTALLATION**

- Deck mounted through Ø34mm hole.
- Reinforced fixation using 2x stainless steel fixing screws and support ring.
- 340mm PEX flexible connects to 1/2" water supply.
- Hot water temperature set by TMV (not included) or cold supply.
- Flow rate pre-set at 3L/min at 300kPa, can be adjusted from 1.5 to 6L/min by using a 2.5mm Allen key directly on the flow straightener.
- Ensure basin waste position does not conflict with position of the sensor.
- Check compatibility of basin with this tap. The elongated base may conflict with any basin that has a raised lip at the back.

**MODELS**

**DE440006AS** - 6v Battery, with isolators.

\*'Lead free' has been defined as a plumbing product or material in contact with potable water that has a weighted average lead content of no more than 0.25%.