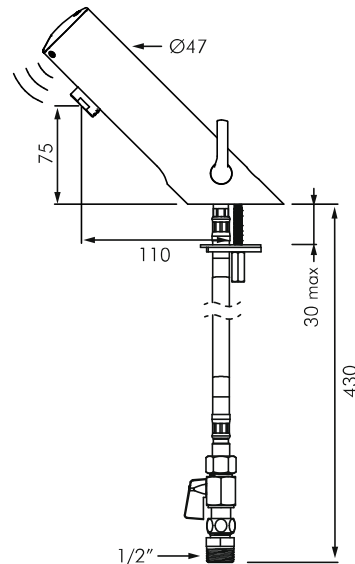


DE490006

TEMPOMATIC MIX 4

ELECTRONIC BASIN MIXER

DELABIE



DESCRIPTION

DELABIE DE490006 is a deck mounted electronic basin mixer with a reduced stagnation solenoid valve and electronic unit. Supplied standard as 6V battery powered with 6V Lithium battery integrated into the body of the tap, or alternatively is available as 230/12V mains power supply. Active infrared presence detection sensor at the end of the spout optimises detection. Anti-bacterial duty flush operates for ~60 seconds every 24 hours after last use. Side temperature control with adjustable maximum temperature limiter. Flow rate is pre-set at 3L/min at 300kPa, can be adjusted from 1.5 to 6L/min. Operating pressure is 100-500kPa, 300kPa is recommended. High polished stainless steel body with hygienic scale-resistant flow straightener and reinforced fixing.

Supplied with PEX flexible connectors, filters, non-return valves and M3/8" stopcocks with 1/2" adaptors.

INSTALLATION

- Deck mounted through Ø34mm hole.
- Reinforced fixation using 2x stainless steel fixing screws and support ring.
- 400mm PEX flexibles connect to 1/2" water supply.

- Equal Hot & Cold supply pressure (max 15% variation).
- Maximum Hot water temperature 55°C.
- Flow rate pre-set at 3L/min at 300kPa, can be adjusted from 1.5 to 6L/min by using a 2.5mm Allen key directly on the flow straightener.
- Ensure basin waste position does not conflict with position of the sensor.
- Low battery life will cause LED to blink for 15 days.
- Battery is replaced from within the electronic unit, access via removal of 2x 2.5mm Allen ket screws.
- Check compatability of basin with this tap. The elongated base may conflict with any basin that has a raised lip at the back.

MODELS

- DE490006** - integrated batteries, stopcocks, 1/2 and 3/8 - 6 star WELS rating
- DE490001** - plug-in mains supply, stopcocks, 1/2 and 3/8 - 6 star WELS rating.
- DE490106** - integrated batteries, without stopcocks, 1/2 and 3/8 - 6 star WELS rating
- DE490101** - plug-in mains supply, without stopcocks, 1/2 and 3/8 - 6 star WELS rating.

Auckland (Head Office)

20 Carr Rd, Three Kings
Auckland 1042
09 624 1115
sales@macdonaldindustries.co.nz
macdonaldindustries.co.nz

Christchurch

32B Hayton Road
Wigram, Christchurch
03 348 2356
christchurch@macdonaldindustries.co.nz

Wellington

04 569 8033