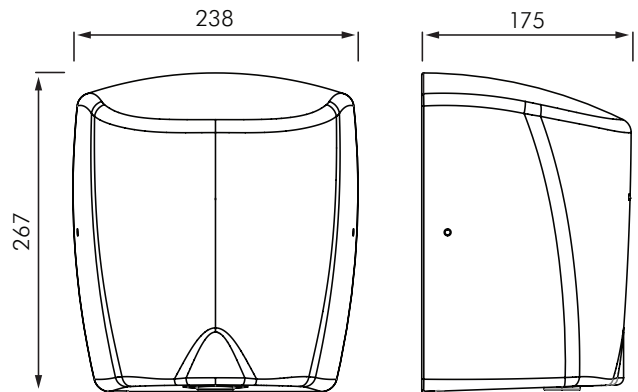


DE510622 HIGHFLOW HAND DRYER

DELABIE



DESCRIPTION

The Delabie highflow hand dryer is a high speed dryer suitable for installation in commercial buildings requiring a high quality finish and a fast means of hand drying.

Illuminated central nozzle focuses the pulsed air on to hands at over 230km/h, drying hands in 10-15 seconds.

It has automatic sensor activation with a choice of warm or cold air via a concealed switch.

Highly polished finish with rounded edges for good looks and easy cleaning.

PRODUCT ADVANTAGES

Vandal-resistant: Polished Stainless Steel

Easy to clean: one-piece cover.

Dimensions: 180 x 230 x 250mm.

Weight: 4kg.

Total air flow: 140m³/h.

Low energy consumption: 1350W. 220-240 V~/50Hz.

Noise level: 75-80 dBA.

Approvals: Class I, IP23 CE marked.

MODELS

DE510622 - Standard model as shown.



**MACDONALD
INDUSTRIES LIMITED**

Auckland (Head Office)

20 Carr Rd, Three Kings
Auckland 1042
09 624 1115
sales@macdonaldindustries.co.nz
macdonaldindustries.co.nz

Christchurch

32B Hayton Road
Wigram, Christchurch
03 348 2356
christchurch@macdonaldindustries.co.nz

Wellington

04 569 8033