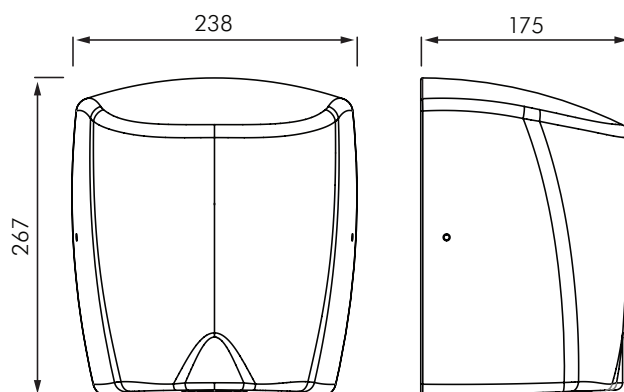


DE510622BK HIGHFLOW HAND DRYER

DELABIE



DESCRIPTION

The Delabie highflow hand dryer is a high speed dryer suitable for installation in commercial buildings requiring a high quality finish and a fast means of hand drying. Illuminated central nozzle focuses the pulsed air on to hands at over 230km/h, drying hands in 10-12 seconds. It has automatic sensor activation with a choice of warm or cold air via a concealed switch. Made from Type 304 Stainless steel with a Matte black bacteriostatic coating.

PRODUCT ADVANTAGES

Vandal-resistant: Stainless Steel

Easy to clean: one-piece cover

Dimensions: 175 x 238 x 267mm

Weight: 4kg

Airflow: 39 l/second

Air speed: 230 km/h

Low energy consumption: 1350W. 220-240 V~/50Hz

Noise level: 75 dBA

Approvals: Class I, IP23 CE marked

MODELS

DE510622BK - Standard model as shown

Auckland (Head Office)

20 Carr Rd, Three Kings
Auckland 1042
09 624 1115
sales@macdonaldindustries.co.nz
macdonaldindustries.co.nz

Christchurch

32B Hayton Road
Wigram, Christchurch
03 348 2356
christchurch@macdonaldindustries.co.nz

Wellington

04 569 8033