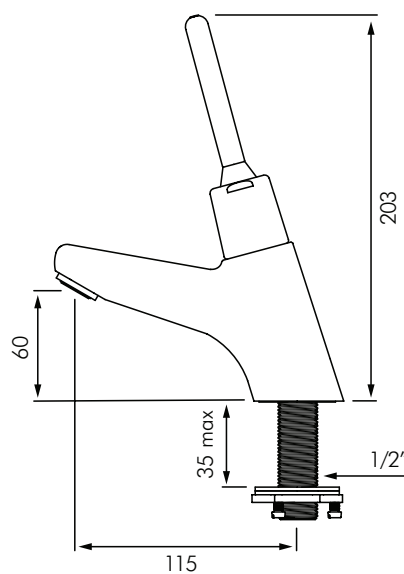


**DE702400**  
TEMPOSTOP 2  
TIME FLOW BASIN TAP LEVER OPERATED

**DELABIE**



**DESCRIPTION**

DELABIE DE702400 is a deck mounted time flow basin tap with lever operation. Lever operation allows users to operate the controls with no effort especially elderly or people with reduced physical ability. Time flow is ~7 seconds. Flow rate is pre-set at 3L/min at 300kPa, can be adjusted from 1.5 to 6L/min. Operating pressure is 100-500kPa, 300kPa is recommended. Chrome-plated solid brass body with tamperproof scale-resistant flow straightener and M1/2" reinforced fixing.

Supplied with red and blue indicators.

We recommend installing a thermostatic mixing valve (see Water Tempering section).

Note: This tap is not considered suitable for use in early childhood centres. Use Temposoft taps in preference.

**INSTALLATION**

- Deck mounted through Ø22mm hole.
- M1/2" water supply connection.
- Reinforced fixing by tightening the 3 stainless screws on the brass back-nut.
- For cold or tempered single water supply.
- Maximum Hot water temperature 55°C, recommended tempered supply of ~40°C.
- Flow rate pre-set at 3L/min at 300kPa, can be adjusted from 1.5 to 6L/min by using a 2.5mm Allen key directly onto the screw head located under the lever cover.

**MODELS**

**DE702400** - Standard model 3L/min - 6 star WELS rating.

**DE-SPACER** - Bush used on basins with Ø34mm hole to centre tap in place.



**Auckland (Head Office)**

20 Carr Rd, Three Kings  
Auckland 1042  
09 624 1115  
sales@macdonaldindustries.co.nz  
macdonaldindustries.co.nz

**Christchurch**

32B Hayton Road  
Wigram, Christchurch  
03 348 2356  
christchurch@macdonaldindustries.co.nz

**Wellington**

04 569 8033