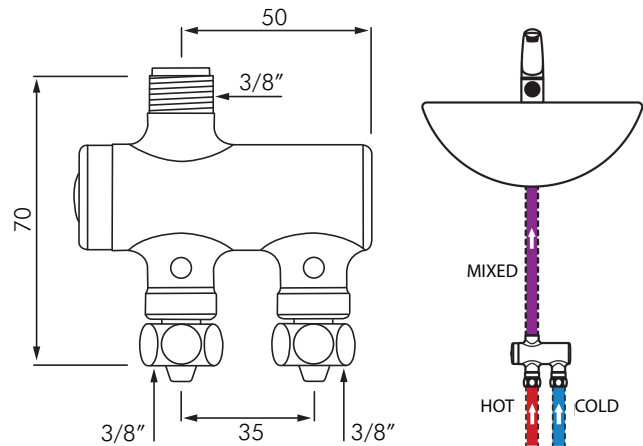


# DE732016

## PREMIX NANO THERMOSTATIC MIXING VALVE

# DELABIE



### DESCRIPTION

The Delabie 'Nano' thermostatic mixing valve is for control of mixed water distribution.

Temperature pre-set at 38°C, adjustable from 34 - 60°C. Anti-scalding safety between 34 - 42°C and automatic shut-off if cold or hot water supply fails. Minimum operating flow rate is 3L/min.

Supplied with integrated non-return valves and filters. Thermal shock treatment of water supply pipe is possible without removing the valve.

NOTE: To achieve TMV3 anti-scalding, this valve must not be set above 42°C.

### FUNCTION AND APPLICATIONS

- Premix Nano is a thermostatic mixing valve which ensures mixed water distribution at a constant selected temperature (regardless of variations in the installation's operating pressure, flow rate or supply temperature).
- Use: upstream of all mixers, taps or valves requiring mixed water (washbasin, shower, bath, in commercial or domestic applications).
- Ideal for use on just one tap where the flow is minimal (min. 3L/min).

### PRODUCT ADVANTAGES

- Stable temperatures ensure optimum comfort, corrects any temperature variation for the user.
- Automatic anti-scalding fail-safe ensures instant hot water shut-off if the cold water supply fails. Maximum temperature can be adjusted by the installer (NOTE - 42°C is the highest this valve should be set for the fail-safe to work).
- Anti-Legionella solution that is both preventative and permanent. While maintaining the hot water temperature above 55°C throughout the network, the thermostatic regulators (or mixers) must be installed as close as possible to the point-of-use.
- 10 year warranty

### MODELS

**DE732016** - Standard model as shown.

**DE732116** - Same as DE732016 but with 1/2" connections.