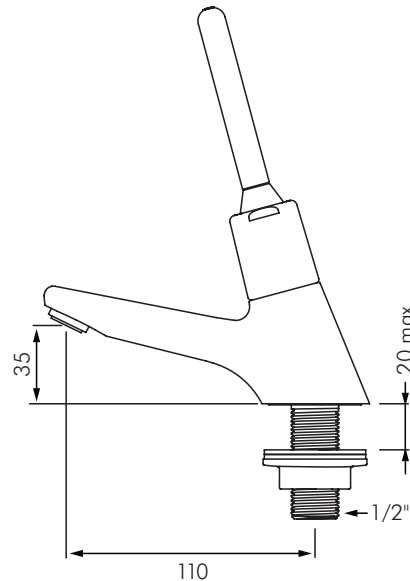


DE745447AS

TEMPOSTOP TIME FLOW BASIN TAP LEVER OPERATED - LEAD FREE*

DELABIE



DESCRIPTION

Delabie DE745447AS is a deck mounted lever-operated time flow basin tap. Time flow is ~7 seconds. Lever-operation allows users to push the control lever to open the tap with no effort, especially for elderly, or people with reduced physical ability. Flow rate is pre-set at 3L/min at 300kPa, can be adjusted from 1.4-6L/min. Operating pressure is 100-500kPa, 300kPa is recommended. Chrome-plated solid brass body and metal lever, with tamperproof scale-resistant flow straightener and M1/2" connection. We recommend installing a thermostatic mixing valve (see Water Tempering section).

Note: Not recommended for use in early childhood facilities. Refer instead to Temposoft DE740510AS.

INSTALLATION

- Suits NZS4121 for accessible use.
- Deck mounted through Ø22mm hole.
- Exceptional water savings ~85%.
- Spout length L. 110mm.
- For cold or tempered single water supply.
- Maximum hot water temperature 55°C, recommended tempered supply of ~40°C.
- Flow rate pre-set at 3L/min at 300kPa, adjustable 1.4-6L/min.
- Supplied with red and blue indicators.

MODELS

DE745447AS - Delabie Tempostop Lever-Operated Time Flow Basin Tap.

DE-SPACER - Spacer washer for use on washbasins with Ø 34mm hole, to centre tap in place.

*'Lead free' has been defined as a plumbing product or material in contact with potable water that has a weighted average lead content of no more than 0.25%.



Auckland (Head Office)

20 Carr Rd, Three Kings
Auckland 1042
09 624 1115
sales@macdonaldindustries.co.nz
macdonaldindustries.co.nz

Christchurch

32B Hayton Road
Wigram, Christchurch 8042
03 348 2356
christchurch@macdonaldindustries.co.nz

Wellington

04 569 8033