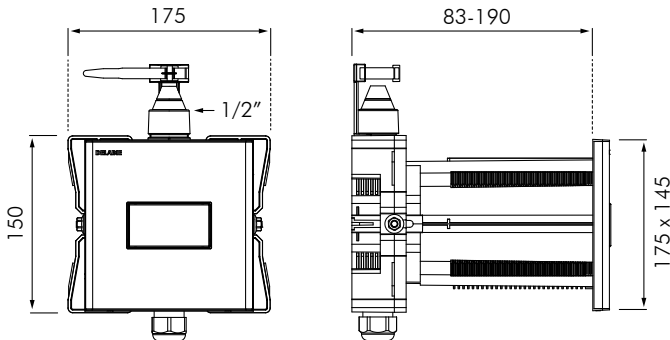


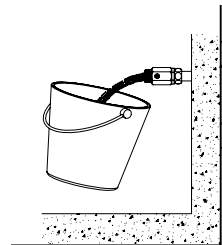
DE778700
TEMPOFLUX URINAL VALVE
WATERPROOF HOUSING

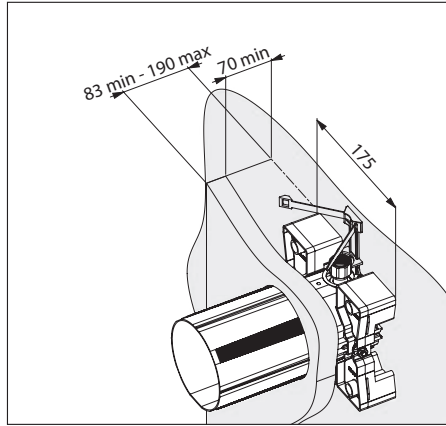
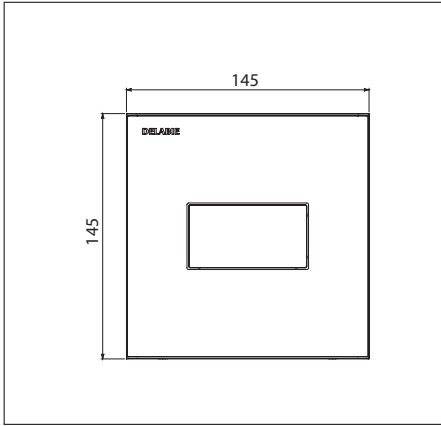
DELABIE



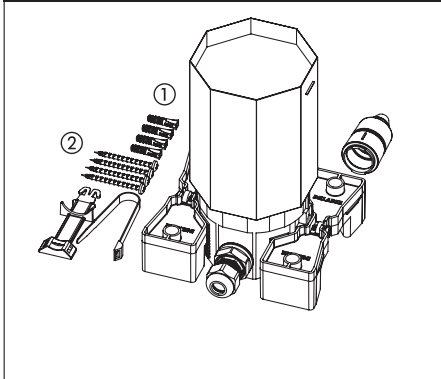
Time flow urinal valve in a waterproof housing.

Thoroughly flush the pipes to remove any impurities before installing and commissioning the product.

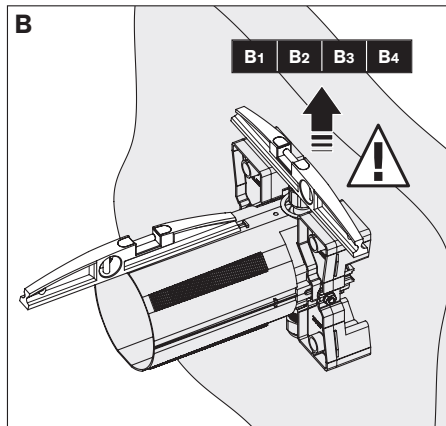
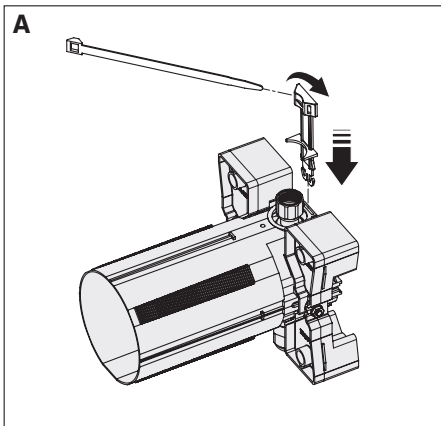
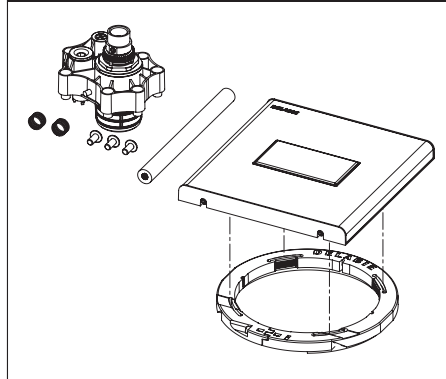




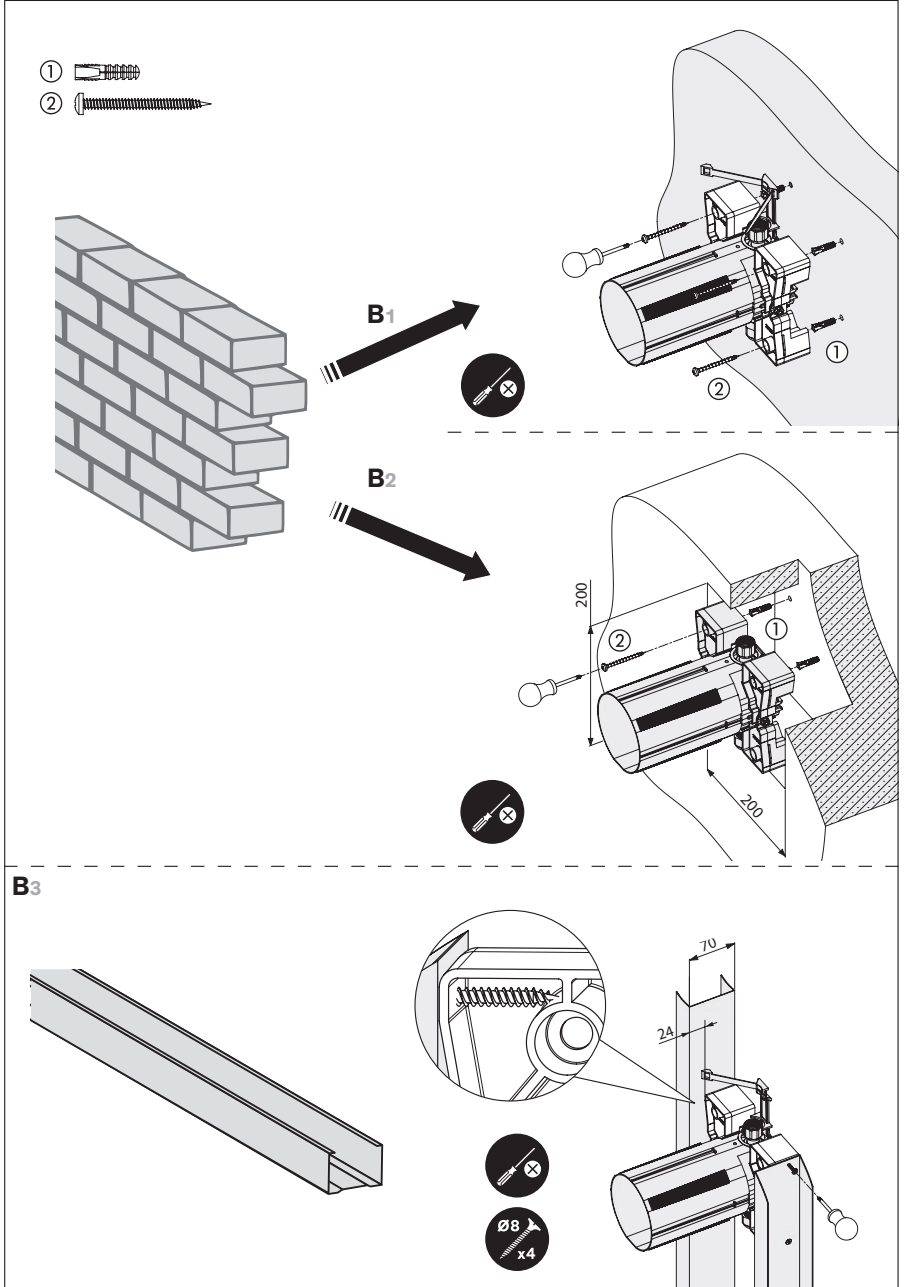
778KIT



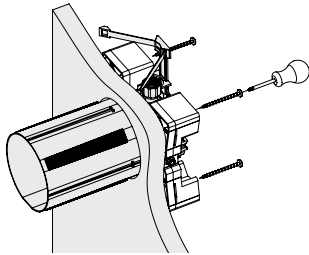
778700



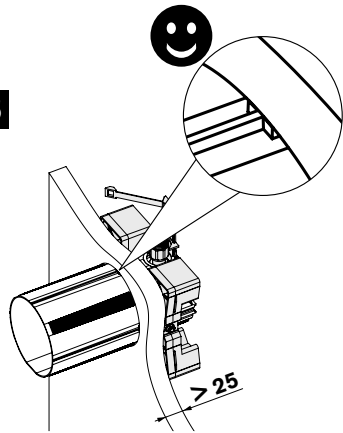
MACDONALD INDUSTRIES LIMITED
INSTALLATION INSTRUCTIONS



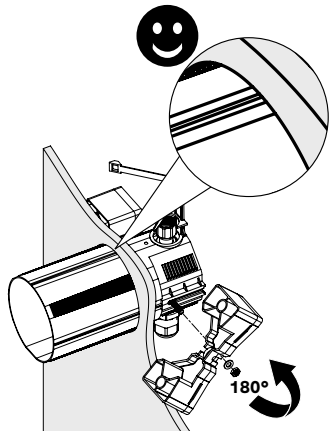
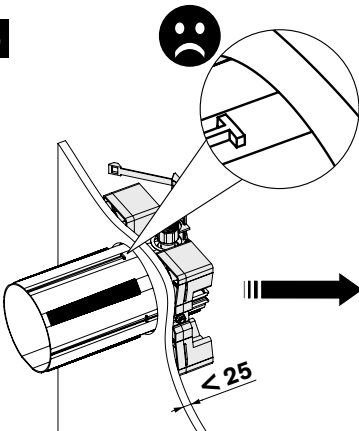
B4



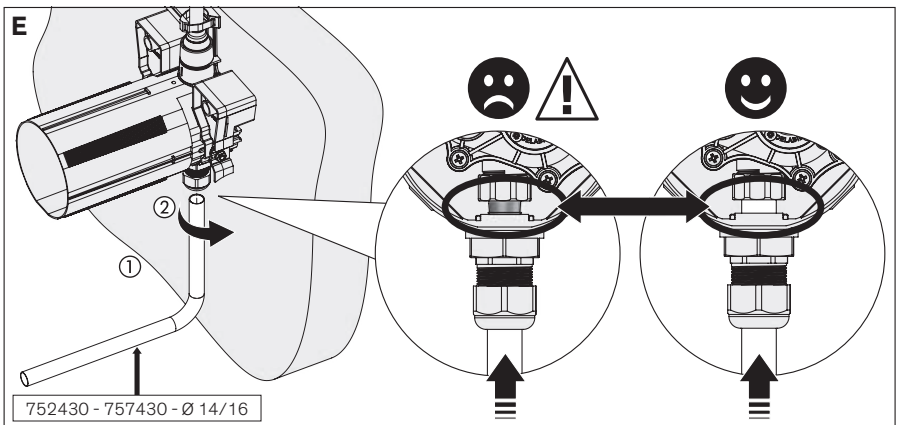
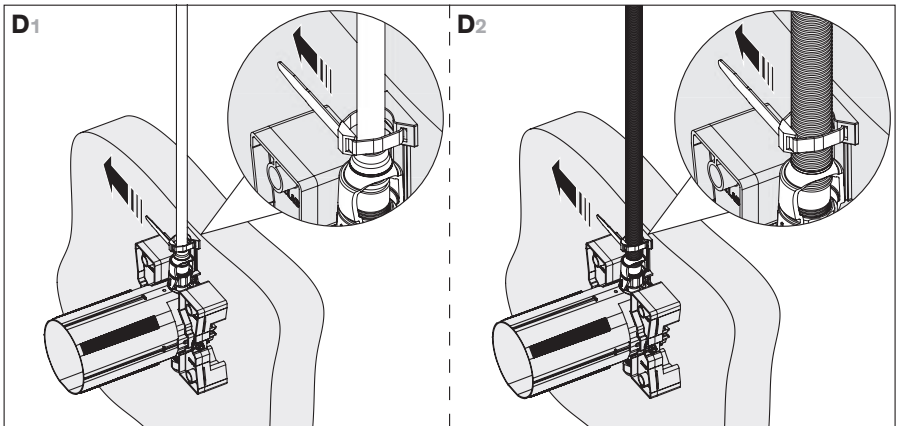
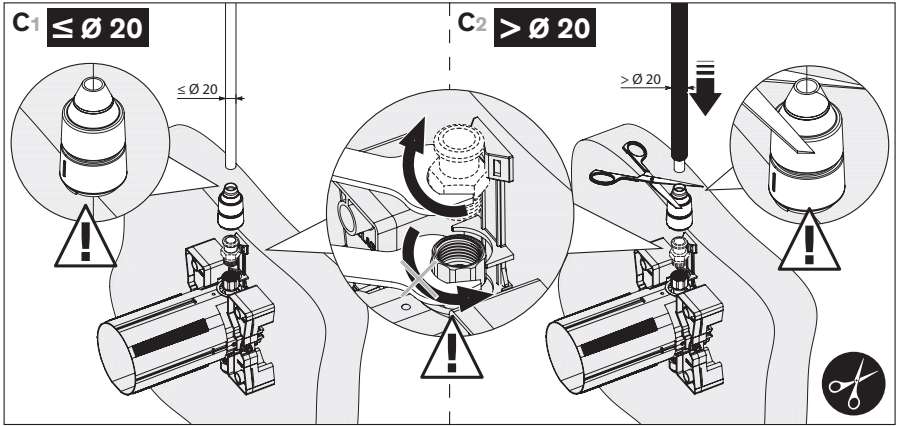
> 25

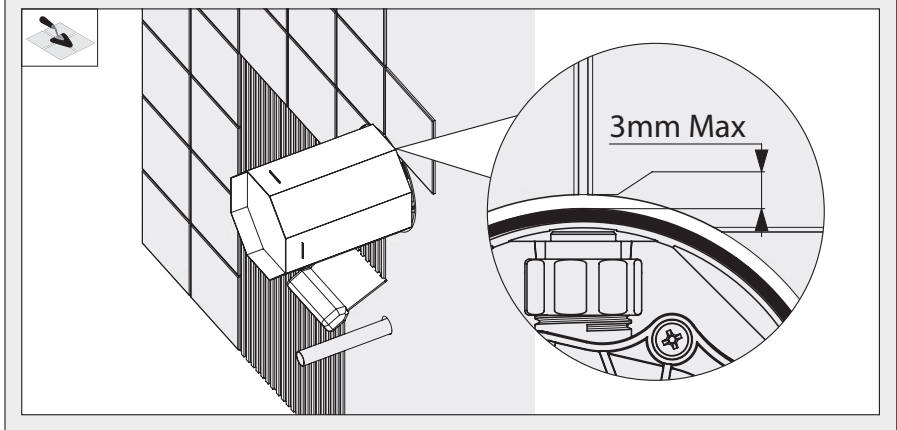
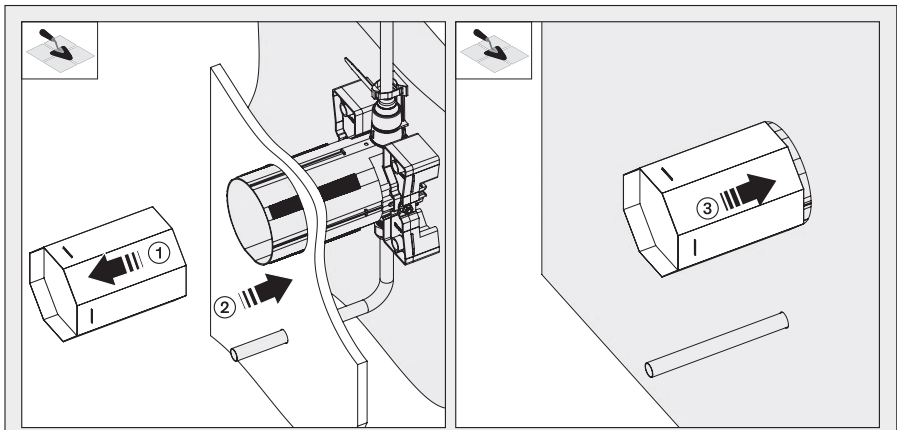
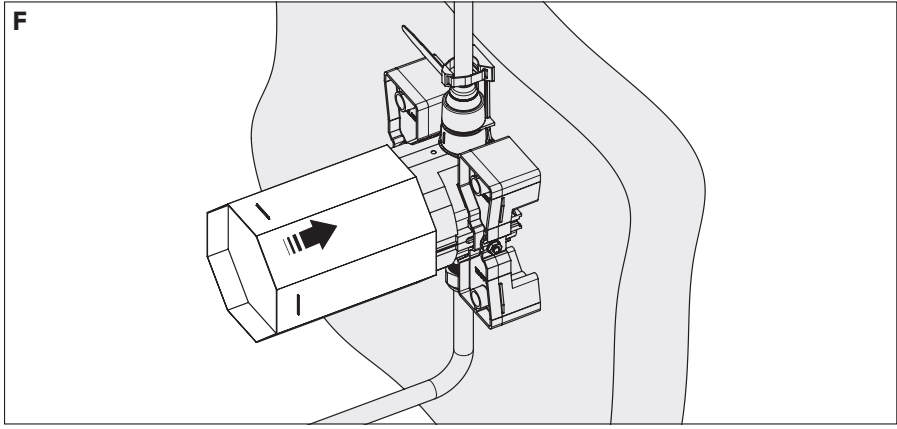


< 25

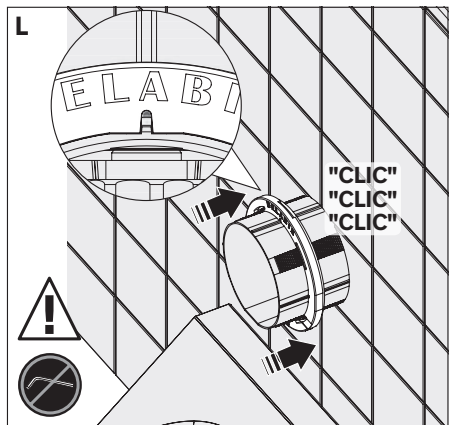
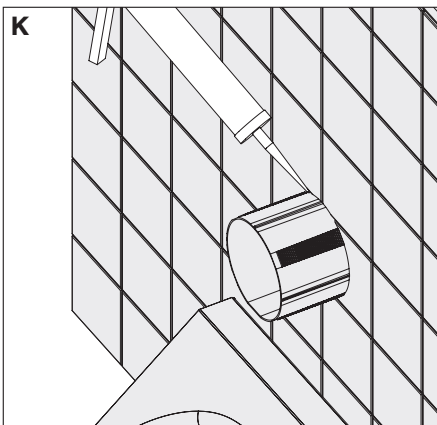
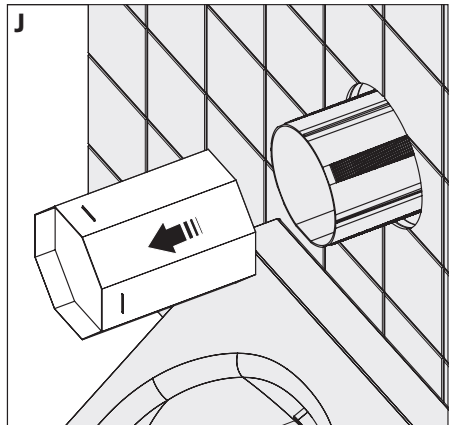
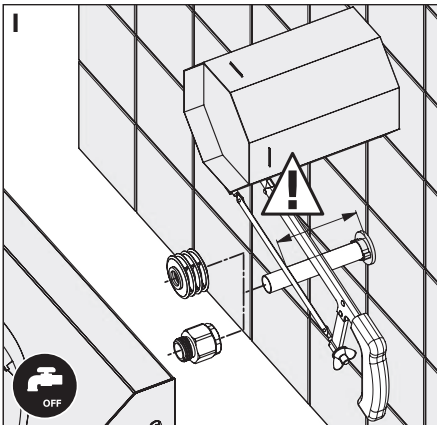
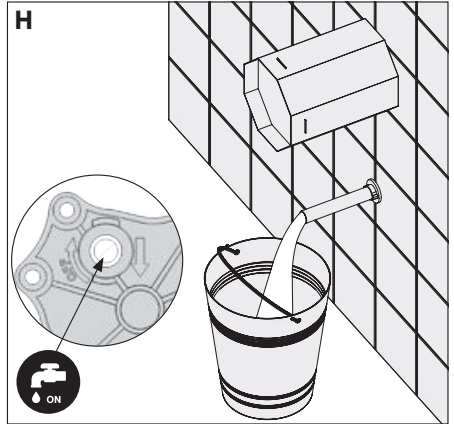
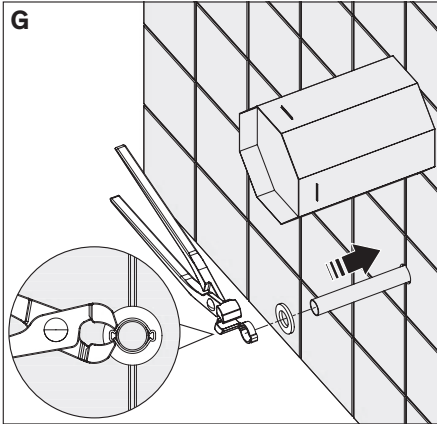


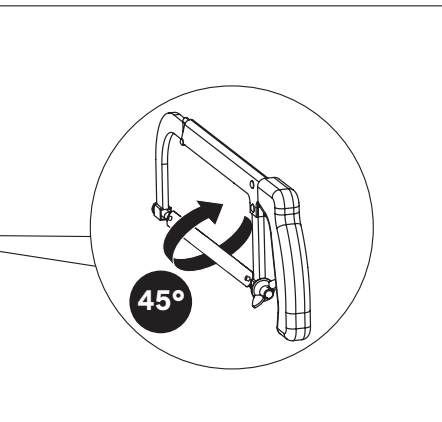
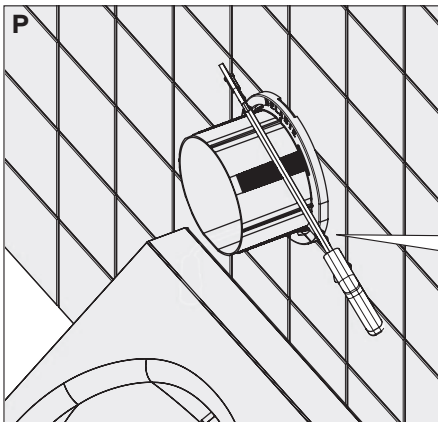
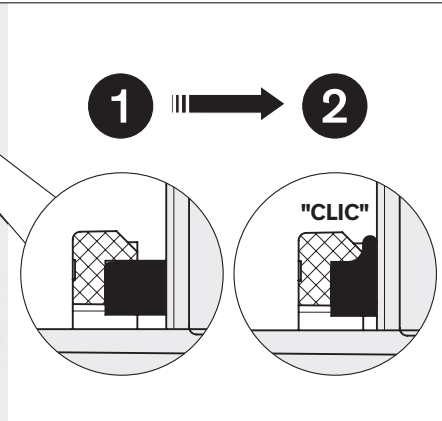
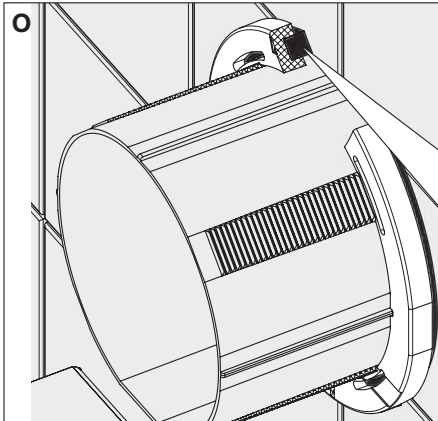
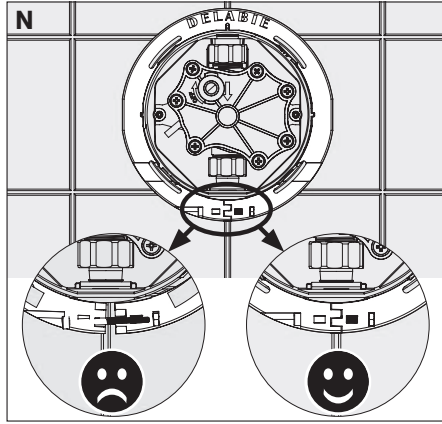
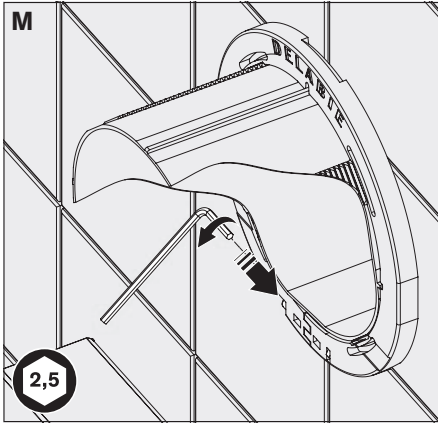
MACDONALD INDUSTRIES LIMITED
INSTALLATION INSTRUCTIONS



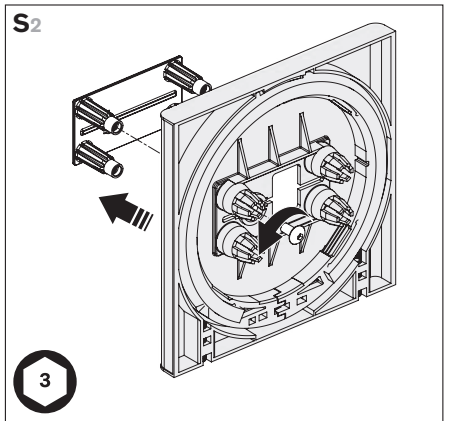
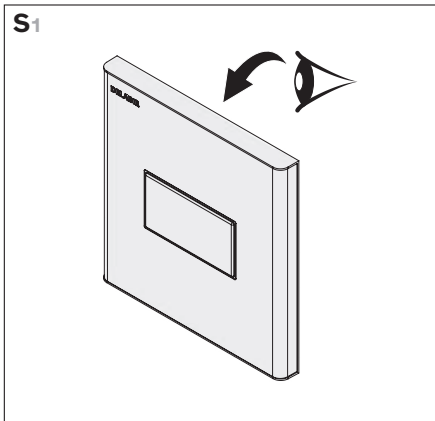
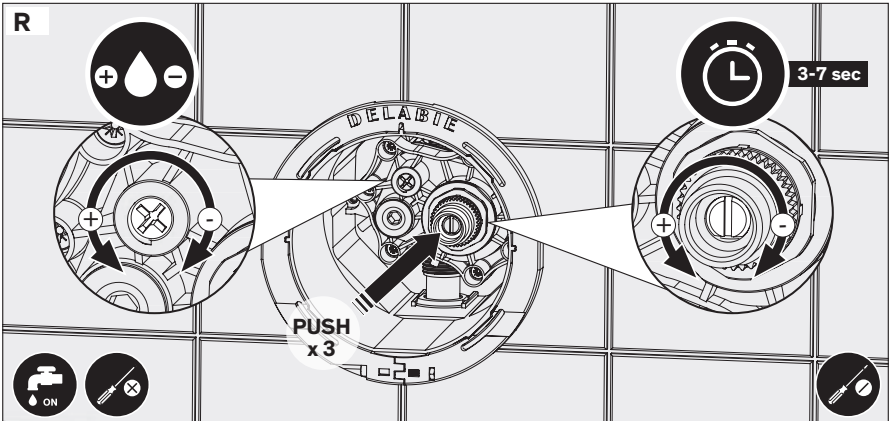
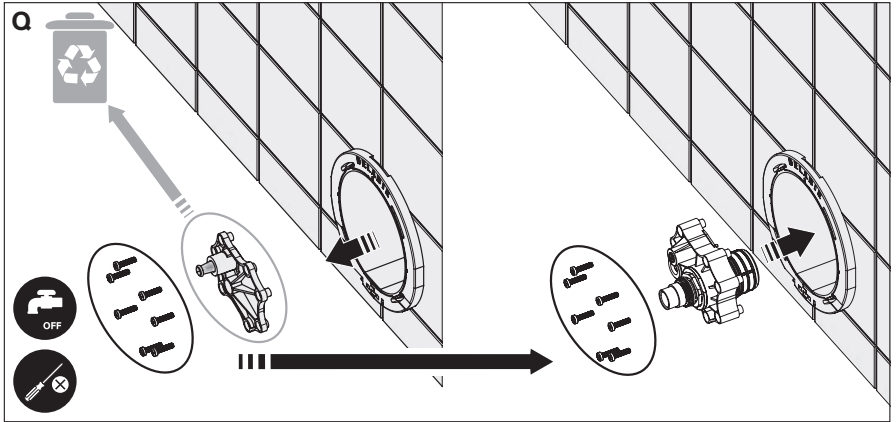


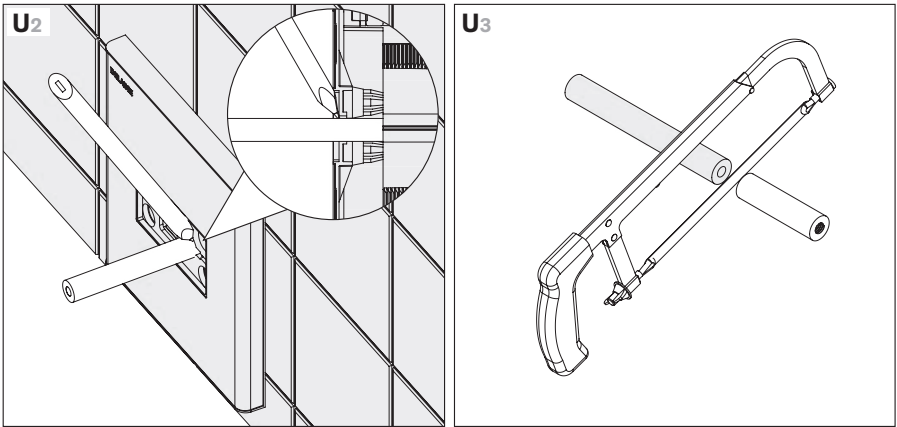
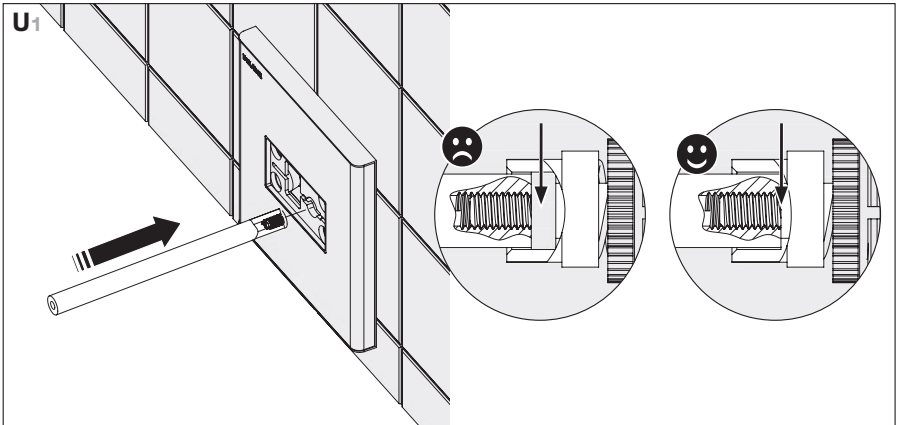
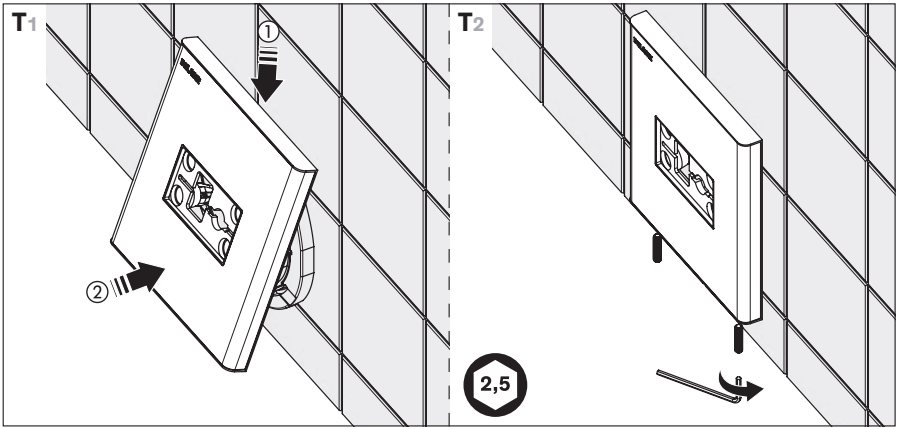
MACDONALD INDUSTRIES LIMITED
INSTALLATION INSTRUCTIONS

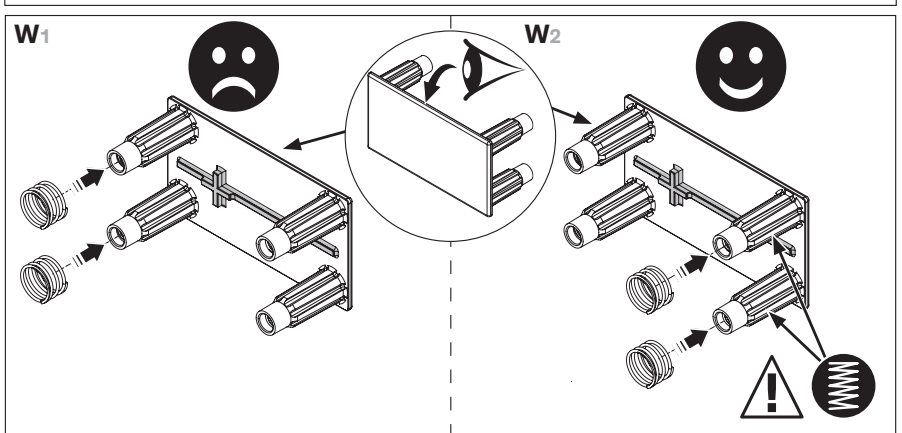
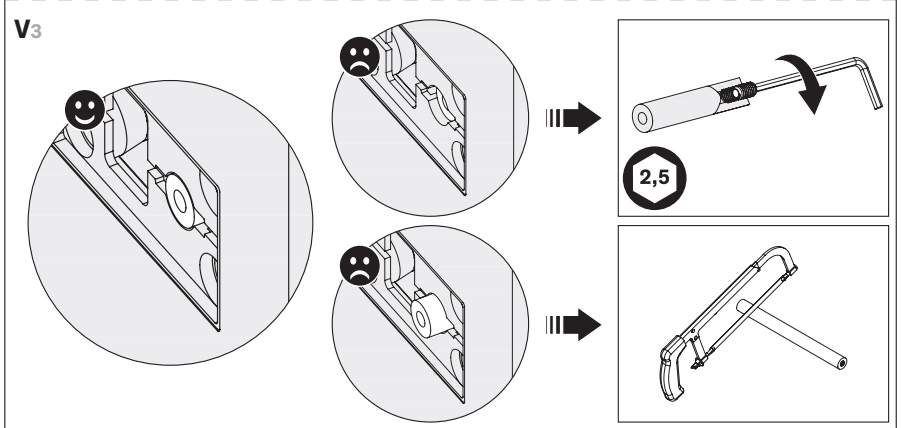
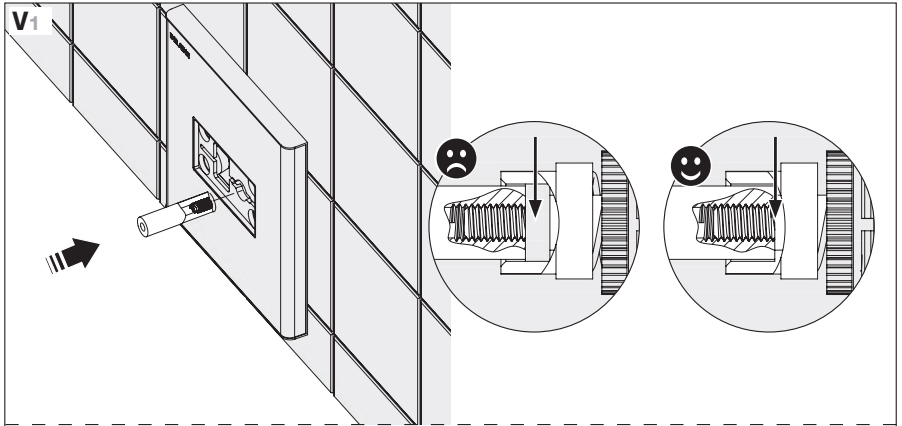


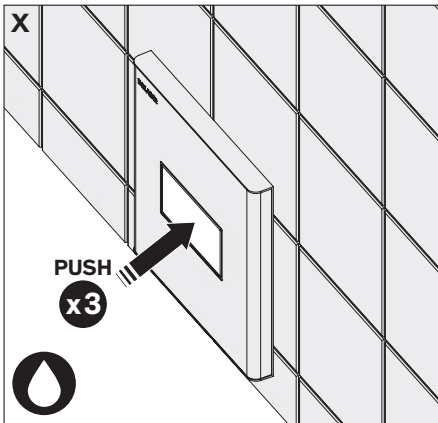
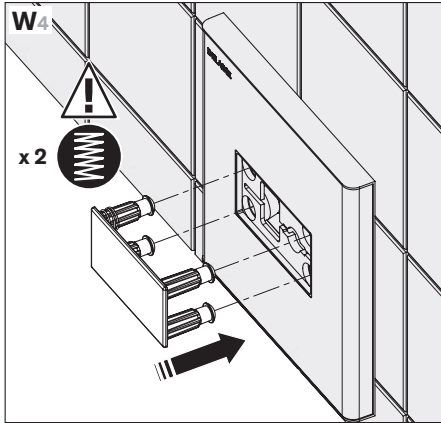
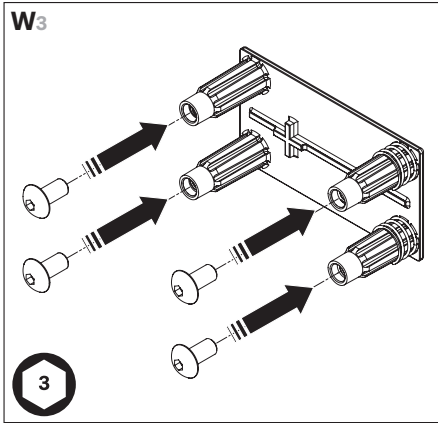


MACDONALD INDUSTRIES LIMITED INSTALLATION INSTRUCTIONS

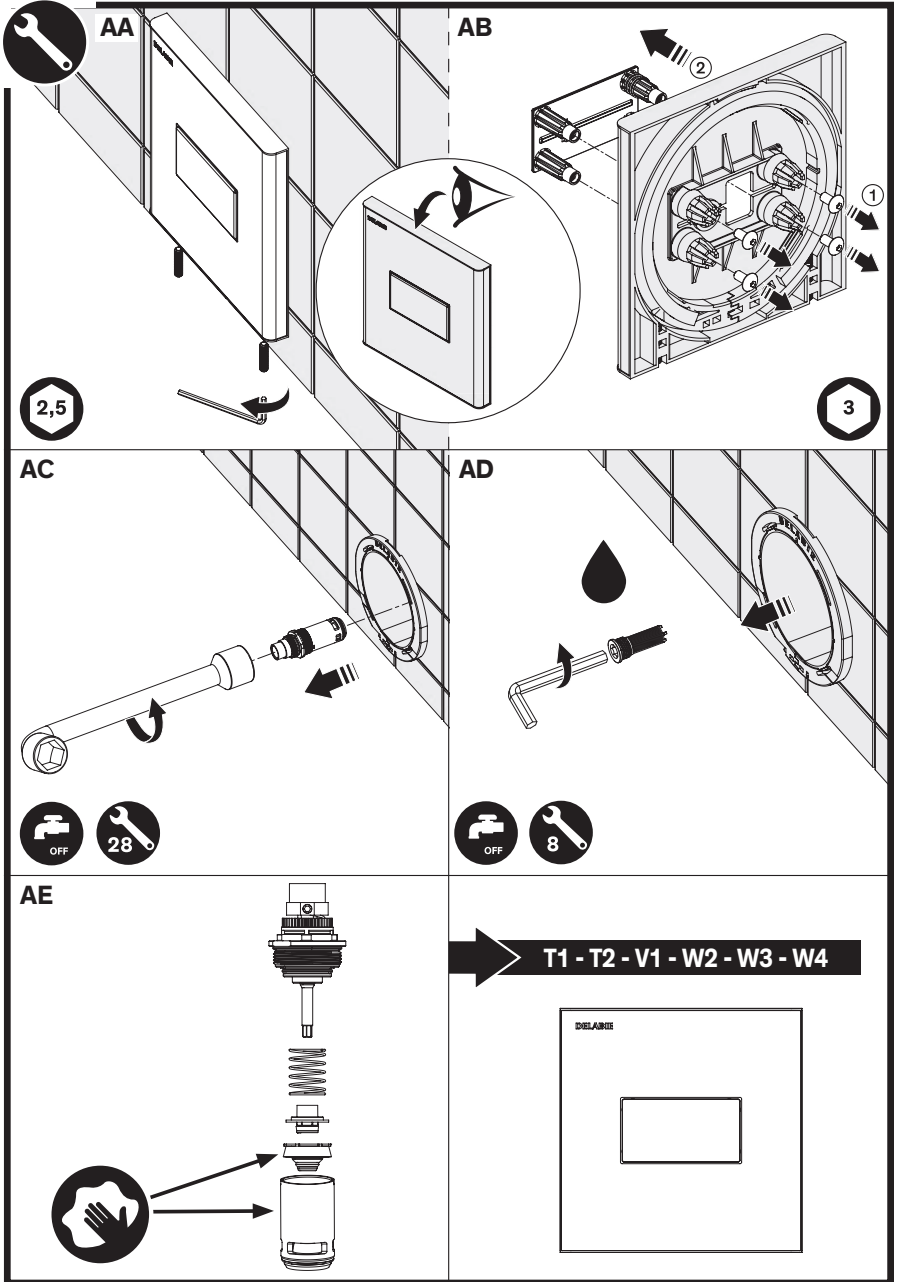








MACDONALD INDUSTRIES LIMITED
INSTALLATION INSTRUCTIONS



OPERATION

- Press the push-button control to open the valve.
- Automatic timed shut-off, can be adjusted from 3 - 7 seconds, pre-set at 3 seconds.

CHARACTERISTICS

- Pressure: 1 - 5 bar (100 - 500kPa), we recommend 3 bar (300kPa).
- Base flow rate for conventional urinals: 0.15 L/sec.
- Max. flow rate for TEMPOFLUX, at 1 bar: 0.15 L/sec. - at 2 bar: 0.28 L/sec - at 3 bar: 0.40 L/sec.
- Calculate the pipe work according to the probable flow rate and the dynamic pressure.
- Connect the TEMPOMATIC 4 to the pipe work using a pipe with a minimum internal diameter of 12mm.

INSTALLATION

CHECK THE INTEGRITY OF THE SEALS BETWEEN THE STAINLESS STEEL WALL PLATE AND THE WALL AT LEAST ONCE A YEAR, AND MAKE GOOD IF NECESSARY.

If this advice is not followed, water may leak into the wall. MacDonald Industries cannot be held responsible for any ingress.

FOR FURTHER INFORMATION PLEASE CALL TECHNICAL SUPPORT (SEE BACK PAGE FOR CONTACT DETAILS).

REMEMBER

- **Our valves must be installed by professional installers** in accordance with current regulations and recommendations and the specifications of the hydraulic engineer.
- **Sizing the pipes correctly** will avoid problems of flow rate, pressure loss and water hammer.
- **Protect the installation** with filters, water hammer absorbers and pressure reducers to reduce the frequency of maintenance (recommended pressure from 1 to 5 bar maximum).
- **Install stopcocks** close to the valve to facilitate maintenance.
- The pipework, filters, non-return valves, stopcocks, bib taps, cartridge and all sanitary fittings should be checked at least once a year, and more frequently if necessary.

MAINTENANCE & CLEANING

- **Cleaning chrome or stainless steel:** do not use abrasive, chlorine or any other acid-based cleaning products. Clean with mild soapy water using a cloth or a sponge.
- **Frost protection:** drain the pipes and operate the valve several times to drain any remaining water. In the event of prolonged exposure to frost, we recommend taking the mechanisms apart and storing them indoors.



**MACDONALD
INDUSTRIES LIMITED**

Auckland (Head Office)

20 Carr Rd, Three Kings

Auckland 1042

P: 09 624 1115

F: 09 624 1110

E: sales@macdonaldindustries.co.nz

Wellington

P: 04 569 8033

F: 04 569 8066

Christchurch

P: 03 348 2356

F: 03 348 2376

www.macdonaldindustries.co.nz