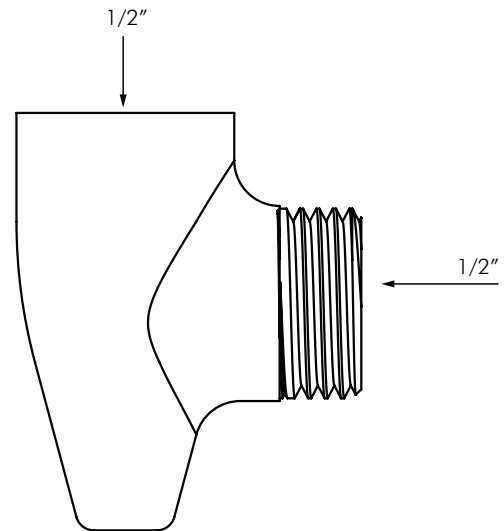
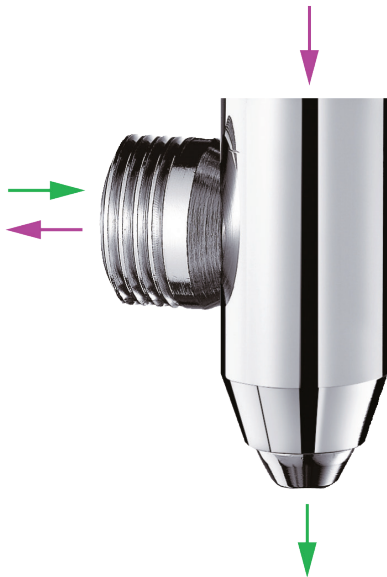


DE880 SHOWER AUTO DRAINING DEVICE

DELABIE



DESCRIPTION

DELABIE DE880 is an auto-draining device in chrome-plated brass which automatically drains the shower head and flexible hose. It prevents water stagnation and reduces bacterial proliferation. Inlet F1/2" with filter to connect to the bottom outlet of the mixer. Outlet M1/2" to connect to the flexible hose. For use with a short flexible hose 834T3 or 836T3.

INSTALLATION

- Inlet F1/2" with filter to connect to the bottom outlet of the mixer.
- Outlet M1/2" to connect to the flexible hose.
- For use with a short flexible hose 834T3 or 836T3.

MODELS

DE880 - Standard model as shown.

Auckland (Head Office)

20 Carr Rd, Three Kings
Auckland 1041
P: 09 624 1115
F: 09 624 1110
E: sales@macdonaldindustries.co.nz

Wellington

P: 04 569 8033
F: 04 569 8066

Christchurch

P: 03 348 2356
F: 03 348 2376