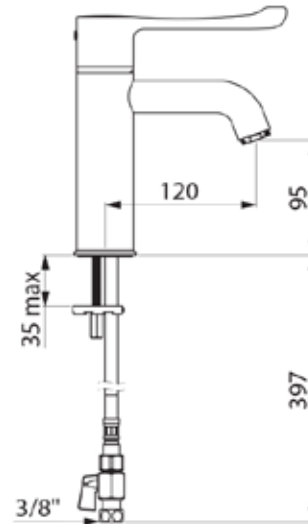


DEH9600-V2

SECURITHERM

THERMOSTATIC BASIN MIXER

DELABIE



DESCRIPTION

DELABIE DEH9600-V2 Securitherm is a deck mounted thermostatic single control basin mixer with smooth interior. Securitherm thermostatic mixer taps ensures immediate hot water shut off if the cold water supply fails. If the hot water fails the mixer also shuts off. Securitouch thermal insulation prevents burns to the user. Curved spout H.95mm L.120mm with hygienic flow straightener for no impurity retention. Mixers with smooth interiors have 14x less Biofilm contamination than mixers with standard rough interiors. Flow rate limited to 7L/min at 300kPa. Operating pressure is 100-500kPa, 300kPa is recommended. Easy to use hygienic control lever L.146mm, also available L.100mm. Temperature is limited to 40°C but is adjustable by the installer to the buildings' required maximum temperature.

Supplied with braided stainless steel PEX flexible connections, filters, M1/2" stopcocks and reinforced fixing.

INSTALLATION

- Deck mounted through Ø34mm hole.
- Reinforced fixation using 2x stainless steel fixing screws and support ring.
- Stainless steel braided PEX flexibles, rotating unions, filters, and M1/2" connections to water supply.
- Flow rate limited to 7L/min at 300kPa.
- Anti-scalding failsafe, Hot water shuts off immediately if cold water fails.
- Temperature limit set to maximum 40°C (is adjustable by installer).
- Minimum 15°C difference between HW and MW.
- Maximum 15% pressure differential between HW and CW.
- Thermal & chemical shocks are possible with this mixer tap.

MODELS

DEH9600-V2 - Standard model 5L/min

Auckland (Head Office)

20 Carr Rd, Three Kings
Auckland 1042
09 624 1115
sales@macdonaldindustries.co.nz
macdonaldindustries.co.nz

Christchurch

32B Hayton Road
Wigram, Christchurch
03 348 2356
christchurch@macdonaldindustries.co.nz

Wellington

04 569 8033