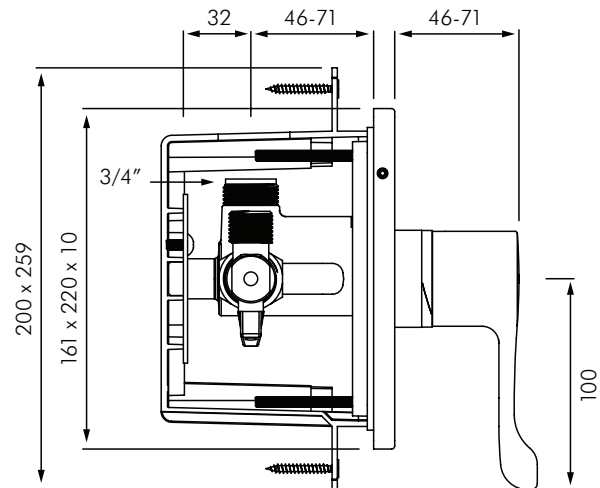


DEH9632
 SECURITHERM
 THERMOSTATIC SHOWER MIXER

DELABIE



DESCRIPTION

DELABIE Securitherm DEH9632 is a recessed mounted thermostatic single control shower mixer. Securitherm thermostatic mixer taps ensures immediate hot water shut off if the cold water supply fails. If the hot water fails the mixer also shuts off. Securitouch thermal insulation prevents burns to the user. Flow rate limited to 9L/min at 300kPa, 6L/min with shower head. Operating pressure is 100-500kPa, 300kPa is recommended. Easy to use hygienic control lever L.100mm. Temperature is limited to 39°C but is adjustable by the installer to the buildings' required maximum temperature.

Supplied with M3/4" inlets with integrated filters and bright stainless steel cover plate 160x220mm.

Order the DE790BOX water proofing installation kit for mounting (see models). Water proofing installation kit model DE790BOX is supplied with housing, protective cover, M1/2" isolation valves and temporary hydraulic connector.

INSTALLATION

- M1/2" connections from water proofing installation kit to water supply.
- Flow rate limited to 9L/min at 300kPa.
- Anti-scalding failsafe, Hot water shuts off immediately if cold water fails.
- Temperature limit set to maximum 39°C (is adjustable by installer).
- Minimum 15°C difference between HW and MW.
- Maximum 15% pressure differential between HW and CW.
- Thermal & chemical shocks are possible with this mixer tap.

MODELS

- DEH9632** - Shower mixer 9L/min with cover plate - 2 star WELS rating.
- DE790BOX** - Water proofing installation kit.
- DEH9632/BOX** - Shower mixer 9L/min with cover plate and water proofing installation kit - 2 star WELS rating.