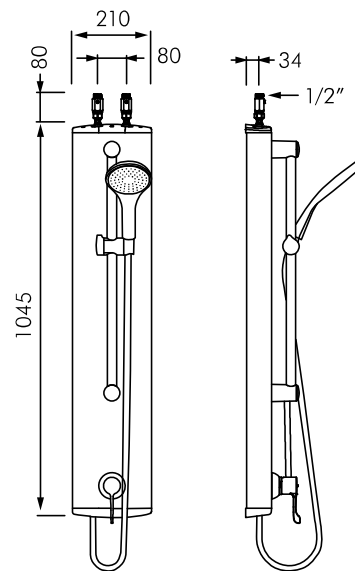


# DEH9636

## SECURITHERM

### SHOWER PANEL WITH SLIDE SHOWER

# DELABIE



#### DESCRIPTION

DELABIE Securitherm DEH9636 is a surface mounted thermostatic single control shower panel for exposed installation with slide shower. Securitherm thermostatic mixer taps ensures immediate hot water shut off if the cold water supply fails. If the hot water fails the mixer also shuts off. Securitouch thermal insulation prevents burns to the user. Flow rate limited to 9L/min at 300kPa. Operating pressure is 100-500kPa, 300kPa is recommended. Temperature is limited to 39°C but is adjustable by the installer to the buildings' required maximum temperature. Epoxy coated aluminium shower panel with sliding shower set and flexible shower hose. Hygiene control lever L.100mm.

Supplied with top inlets with M1/2" stopcocks, filters and concealed fixings.

#### INSTALLATION

- For wall mounted, exposed installation.
- Concealed fixing with M1/2" connections, filters and concealed fixings.
- Flow rate limited to 9L/min at 300kPa.
- Anti-scalding failsafe, Hot water shuts off immediately if cold water fails.
- Temperature limit set to maximum 39°C (is adjustable by installer).
- Minimum 15°C difference between HW and MW.
- Maximum 15% pressure differential between HW and CW.
- Thermal shocks are possible with this mixer tap.

#### MODEL

DEH9636 - Shower panel 9L/min - 3 star WELS rating.



**MACDONALD**  
**INDUSTRIES LIMITED**

#### Auckland (Head Office)

20 Carr Rd, Three Kings

Auckland 1041

P: 09 624 1115

F: 09 624 1110

E: sales@macdonaldindustries.co.nz

#### Wellington

P: 04 569 8033

F: 04 569 8066

#### Christchurch

P: 03 348 2356

F: 03 348 2376

[www.macdonaldindustries.co.nz](http://www.macdonaldindustries.co.nz)