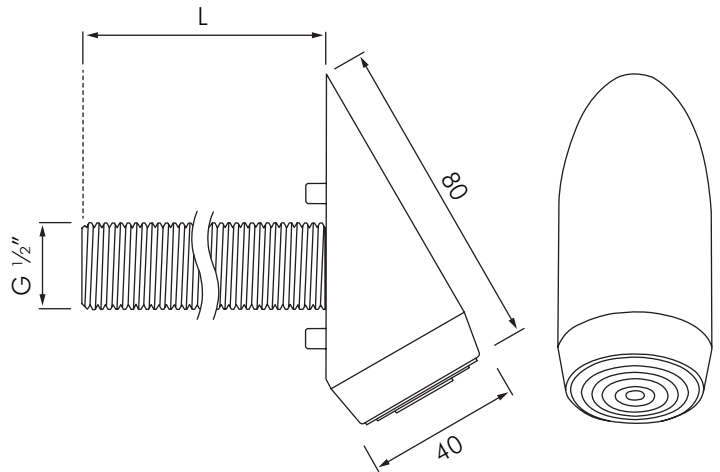


## DV-SH07-040xx HIGH SECURITY SHOWER HEAD

**KWC DVS**



### DESCRIPTION

The DV-SH07-040xx is a through wall mounted 30° angled high security shower head with 4 rings. With substantially reduced ligature risk this shower head is intended for installations where everything except the showerhead and control are concealed behind a wall.

Brushed 316 stainless steel, with invisible anti-rotating pins. Inlet connection M1/2" BSP thread.

This shower head can be used in conjunction with any of MacDonal shower controllers including Warden electronic, MacDonal Security, or Delabie time delay products.

Ideal for use in applications requiring a high degree of vandalism protection including prisons and mental health facilities, which require water consumption minimisation.

### INSTALLATION

- Through wall mounted shower head
- M1/2" water supply connection
- Substantially reduced ligature risk
- Minimum water pressure 100kPa
- Flow rate 6L/min at 300kPa

### MODELS

DV-SH07-040-15 - to suit 150mm walls

DV-SH07-040-20 - to suit 200mm walls



**MACDONALD  
INDUSTRIES LIMITED**

#### Auckland (Head Office)

20 Carr Rd, Three Kings  
Auckland 1041  
09 624 1115

sales@macdonaldindustries.co.nz  
www.macdonaldindustries.co.nz

#### Christchurch

03 348 2356  
christchurch@macdonaldindustries.co.nz

#### Wellington

04 569 8033