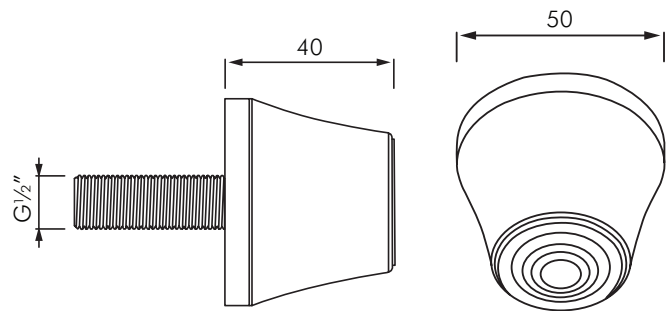


DV-SH07-046 HIGH SECURITY SHOWER HEAD CEILING MOUNTED



DESCRIPTION

The Franke DV-SH07-046 is a ceiling mounted high security shower head with 4 ring shower rose. Substantially reduced ligature risk with a tamper proof security locking screw. This shower head is intended for installations where everything except the showerhead and control are concealed behind a wall or panel.

Brushed 316 stainless steel. Inlet connection 60mm M1/2" BSP thread (longer lengths available).

This shower head can be used in conjunction with any of MacDonal shower controllers including Warden electronic, MacDonal Security, or Delabie time delay products.

Ideal for use in applications requiring a high degree of vandalism protection including prisons and mental health facilities, and require a water consumption minimisation.

INSTALLATION

- Ceiling mounted shower head
- M1/2" water supply connection
- Substantially reduced ligature risk
- Minimum water pressure 100kPa
- Flow rate 6L/min at 300kPa

MODELS

DV-SH07-046 - Standard ceiling mounted shower head