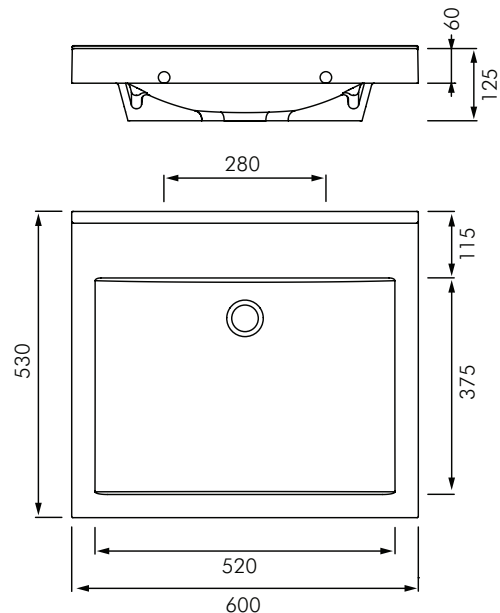


## FR-ANMW410 QUADRO SINGLE WASHBASIN



### DESCRIPTION

Franke Quadro single washbasin is made of MIRANIT resin-bonded mineral material, with smooth, pore-free surface (temperature-resistant up to 80°C), with seamless, rectangular bowl without overflow. Integral back panel with integrated brackets and holes for fixing. Rear contoured edge. Three-sided apron. Mounting material included (hanger bolts and dowels). Finished in Alpine white colour. Washbasin dimensions 600 x 60 x 530 (W x H x D), bowl dimensions 520 x 40/90 x 375 (W x H x D).

Available without taphole or with taphole (see models).

### MODELS

- FR-ANMW410 - Single washbasin without taphole.
- FR-ANMW411 - Single washbasin with taphole.

#### Auckland (Head Office)

20 Carr Rd, Three Kings  
Auckland 1042  
P: 09 624 1115  
F: 09 624 1110  
E: [sales@macdonaldindustries.co.nz](mailto:sales@macdonaldindustries.co.nz)

#### Wellington

P: 04 569 8033  
F: 04 569 8066

#### Christchurch

P: 03 348 2356  
F: 03 348 2376