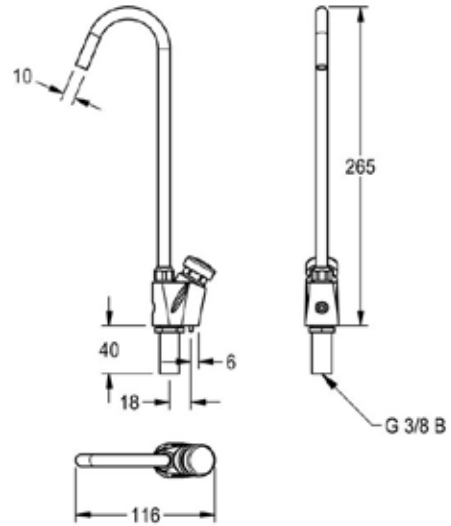


FR-ANMX-BF KWC ANIMA BOTTLE FILLER TAP



DESCRIPTION

FR-ANMX-BF KWC Anima bottle filler tap for drinking fountains with push button, made from chrome-plated brass housing with anti-twist protection

Suitable for internal installation in commercial buildings.

Flow rate: 4L/minute

Working temperature: intended for cold water

Surface finish: Chrome plating over brass body

Inlet size: DN10mm.

Operating pressure is 50-500kPa, 300kPa is recommended

MODELS

FR-ANMX-BF - KWC Anima Bottle Filler Tap

