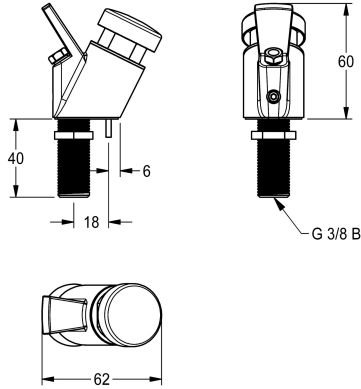


KWC

ANIMA drinking fountain tap

Modell-Linie: ANIMA | ANMX-BU

Drinking fountains | Complementary parts water dispensers



KWC-No.

213.0654.085

Drinking fountain tap with push button

ANIMA drinking fountain tap for drinking fountains made of stainless steel or resin-bonded mineral MIRANIT, with push button,

adjustable water jet, chrome-plated brass housing with anti-twist protection, G 3/8 B connection.

Technical Data

inlet size	DN 10
material fitting	brass
type of mixing	no
surface finish casing	chromed
surface finish fitting	chromed
tailor made	no
type of mounting	mounted on product
type of operation	manual operation
type of tap	pillar tap