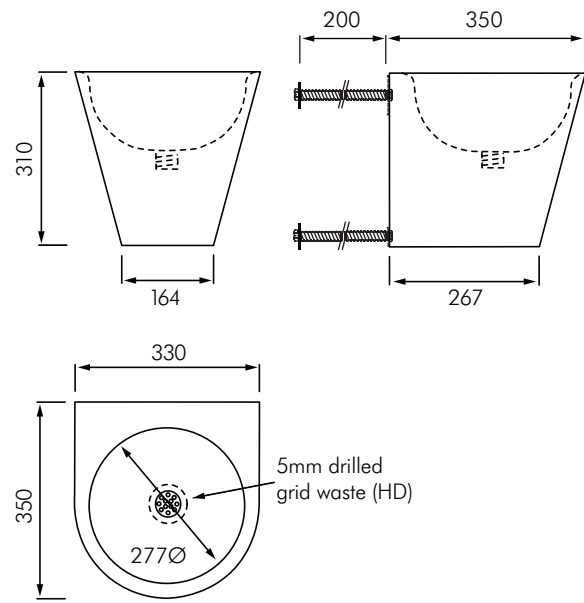


FR-ANMX205-HD CENTINEL STAINLESS STEEL WASH BASIN - HEAVY DUTY

FRANKE



DESCRIPTION

The Franke ANMX205-HD is a satin finish Type 304 stainless steel basin. It has a fully welded base panel and access to the basin waste and tap connection is only via the duct thus making it suitable for use in vandal prone areas such as public toilets and schools.

- It has a deep bowl with a 5mm drilled waste grid (not able to be plugged) and 32mm waste.
- The basin is designed to be bolted through the wall where a plumbing duct exists.

INSTALLATION

Fix through wall using 3 x 10mm threaded rods, nuts and washers supplied. The basin waste should be fitted with an elbow and the waste trap should be positioned inside the duct for easy access for cleaning. Recommended to run a small bead of silicon around the basin once installed.

TAPS

Recommended taps for the ANMX205-HD include;

Delabie DE745 301 - Timed flow tap

Delabie DE700 001 - Timed flow mixer

Warden B50 - Deck mounted bubbler where Warden electronic plumbing control system is being used (refer separate literature).

Basin is not suitable for use with mixer taps or electronic sensor taps.

MODELS

FR-ANMX205-HD - Stainless steel basin.



**MACDONALD
INDUSTRIES LIMITED**

Auckland (Head Office)

20 Carr Rd, Three Kings

Auckland 1041

P: 09 624 1115

F: 09 624 1110

E: sales@macdonaldindustries.co.nz

Wellington

P: 04 569 8033

F: 04 569 8066

Christchurch

P: 03 348 2356

F: 03 348 2376

www.macdonaldindustries.co.nz