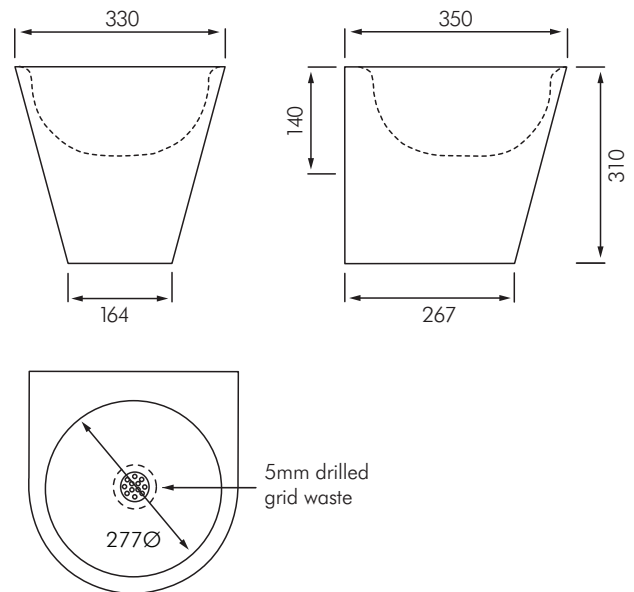


FR-ANMX205-MD

CENTINEL STAINLESS STEEL WASH BASIN - MEDIUM DUTY



DESCRIPTION

The Franke ANMX205-MD is a satin finish Type 304 stainless steel basin suitable for use in vandal prone areas such as public toilets and schools.

The ANMX205-MD has a deep bowl with a 5mm drilled grid (not able to be plugged) and 32mm waste.

Trap is accessible via a Allan screw fixed flush mounted access panel beneath.

INSTALLATION

Fixed to wall using a joggle strip at the top and 2 x fixing screws at the base, all concealed. Plumber should run a small bead of silicon around the basin once installed.

TAPS

Recommended taps for the ANMX205-MD include;

Delabie 745 301 - Timed flow tap

Delabie 700 001 - Timed flow mixer

Warden B50 - Deck mounted bubbler where Warden electronic plumbing control system is being used (refer separate literature).

Note: Basin is not suitable for use with mixer taps or electronic sensor taps.

MODELS

FR-ANMX205-MD - Stainless steel basin.