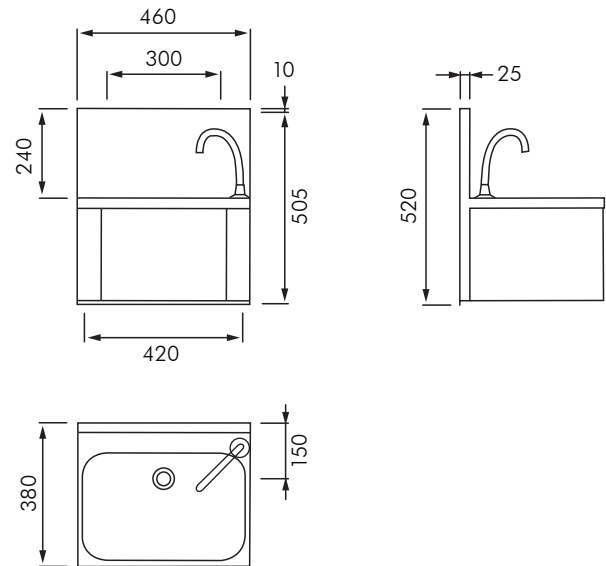


FR-ANMX206

STAINLESS STEEL KNEE OPERATED WASH BASIN



DESCRIPTION

FRANKE FR-ANMX206 is a knee operated wash hand basin in satin finish Type 304 stainless steel, complete with 32mm waste and RH mounted goose neck spout.

The ANMX206 is supplied complete with a pre-mixing valve allowing the installer to set the mixed water temperature. Pressing the knee against the front panel initiates immediate water flow.

It is suitable for use in all wash hand areas for food preparation, factories or other places requiring hygienic no touch hand washing.

INSTALLATION

This wash basin is mounted by fitting a top joggle strip under the upstand return and by screw fixing through the integral rear brackets. Screws and plugs are not supplied.

1/2" BSP connection to valve supplied

100 - 500kPa (ideally 300kPa)

Max HW Temp 75°C

MODELS

FR-ANMX206 - Knee operated wash hand basin.



**MACDONALD
INDUSTRIES LIMITED**

Auckland (Head Office)

20 Carr Rd, Three Kings
Auckland 1042
09 624 1115
sales@macdonaldindustries.co.nz
macdonaldindustries.co.nz

Christchurch

32B Hayton Road
Wigram, Christchurch
03 348 2356
christchurch@macdonaldindustries.co.nz

Wellington

04 569 8033