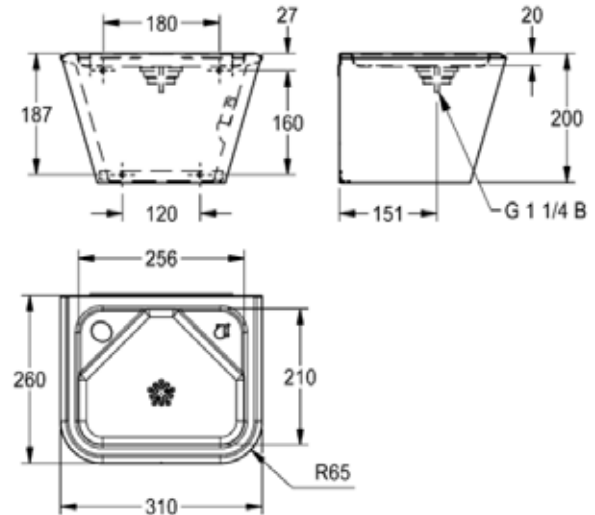


FR-ANMX30U-XX FRANKE ANIMA ST ST WALL MOUNTED DRINKING FOUNTAIN



DESCRIPTION

KWX FR-ANMX30U-XX drinking fountain is for wall mounting and is finished in stainless steel.

Suitable for internal installation in commercial buildings.

The material thickness is 1.2mm stainless, seamlessly integrated flat bowl without overflow. Rectangular drinking fountain shape with rounded edges, two tap holes including covers.

Full length pedestal is also available.

Dimensions 310 x 200 x 260 mm (W x H x D)

Bowl dimensions 256 x 20 x 210 mm (W x H x D)

MODELS

FR-ANMX30U-BF - FRANKE ANIMA ST ST WALL MOUNTED DRINKING FOUNTAIN c/w BOTTLE FILLER

FR-ANMX30U-BU - FRANKE ANIMA ST ST WALL MOUNTED DRINKING FOUNTAIN c/w- BUBBLER.

FR-ANMX30U-BU-BF - FRANKE ANIMA ST ST WALL MOUNTED DRINKING FOUNTAIN c/w BOTTLE FILLER and BUBBLER

FR-ANMX30U-BF-S1 - FRANKE ANIMA ST ST WALL MOUNTED DRINKING FOUNTAIN c/w BOTTLE FILLER and FULL PEDESTAL

FR-ANMX30U-BU-S1 - FRANKE ANIMA ST ST WALL MOUNTED DRINKING FOUNTAIN c/w BUBBLER and FULL PEDESTAL

FR-ANMX30U-BU-BF-S1 - FRANKE ANIMA ST ST WALL MOUNTED DRINKING FOUNTAIN c/w BOTTLE FILLER, BUBBLER and FULL PEDESTAL

