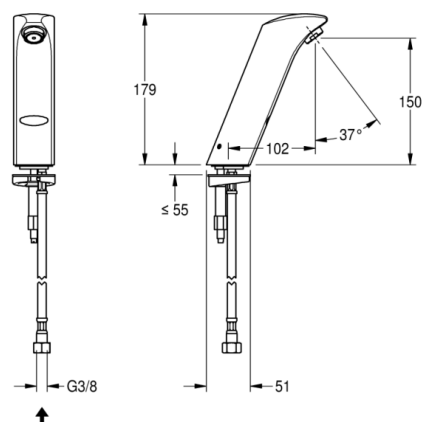


PROTRONIC-S electronic pillar tap

MODEL RANGE: PROTRONIC-S | AQUA131 | 2000067774

Taps | Electronic taps



PROTRONIC-S battery-supplied washbasin tap with touch-free operation, DN 15 with aerator and integrated flow control, for connection to pre-mixed warm or cold water supply, polished chromium-plated brass, 6 V battery.

Technical data	
Type of mounting	Tap hole
Type of operation	Sensor operation
Protective system IP	IP65
Diameter nominal	DN 15
Inlet size	G3/8
Material fitting	Brass
Type of mixing	No mixing
Sound insulation	No
Surface finish fitting	Chromed
Type of tap	Pillar tap
Calculation flow rate cold water	0.10 liter per second
Minimum flow pressure	1.00 bar
Spout projection	102.00 mm
Volume flow rate at 3 bar	0.10 liter per second
Depressurised	No
Functional principle	Electronic self-closing
Protective shutdown	Yes
Thermal disinfection	No
Default automatic hygiene flushing	Not activated
Power supply connection	Battery 6-V
Type of sensor	Opto-electronic sensor
Position of power connection	From bottom
Default flow time	60.00 seconds



PROTRONIC-S electronic pillar tap

MODEL RANGE: PROTRONIC-S | AQUA131 | 2000067774

Taps | Electronic taps

Accessory Optional



PURETHERM under-table thermostat

2030012758

PURE0031



Remote control

2000101087

ZAQUA091



Aerator

2000101160

ZAQUA087

Spare Parts



Lithium battery

2000104846

EPRTR0008
